

\*Shown with optional upgraded calipers.

**1/2" STUD UPGRADE KIT AVAILABLE FOR 20"+ WHEELS**  
(#CP47043-10)

**\$39/RETAIL \$29/DEALER**

#67FRBK-BB Shown



**WORKS WITH STOCK OR DROP SPINDLES**

**COMPLETE FRONT/REAR BIG BRAKE KITS**

CPP introduces its own line of Big Brake kits. The 13" front system uses a 13" cross-drilled, gas slotted and zinc washed rotor, mounted to a 2024 T6 billet aluminum CNC machined anodized hub and a PBR C15 caliper that attaches to the spindle with CPP custom caliper mounting brackets. PBR C15 calipers have twin 52mm pistons and a larger brake pad surface area that offers about 60% more stopping power in the caliper than the popular C5 caliper at half the cost. Big Brake kits requires a 17" diameter disc brake type wheels (easy-to-use wheel template available). The rear kit utilizes a 12" rotor and Lincoln caliper. Kits are complete and include front and rear rotors, front and rear loaded calipers, hoses, front bearings and seals, front and rear mounting brackets, forged aluminum hubs, all necessary hardware and include a 4-wheel master cylinder and proportioning valve kit. *Note: Kits are all original **drum brake** offset. Also, 1962-65 kit requires 5-lug drum spindles and steering arms and 5-lug rear end.*



NOVA / CAMARO

PART #	DESCRIPTION	RETAIL	JOBBER	DEALER
6265FRBK-BB	1962-65 Nova, 5x4.75 kit, plain calipers	\$1,498.00	\$1,318.00	\$1,089.00
6667FRBK-BB	1966-67 Nova, 5x4.75 kit, plain calipers	\$1,498.00	\$1,318.00	\$1,089.00
67FRBK-BB	1967 Camaro, 5x4.75 kit, plain calipers	\$1,498.00	\$1,318.00	\$1,089.00
6869FRBK-BB	1968-74 Nova, 68-69 Camaro, 5x4.75 kit w/ plain calipers	\$1,498.00	\$1,318.00	\$1,089.00



#6472SWBK-D13

\*Shown with upgraded powder coating.



**BIG BRAKE WHEEL KIT**

\*Shown with upgraded calipers.

These big brake wheel kits are designed around our 2" drop spindles. Includes rotors, calipers, hoses, bearing seals, mounting brackets and all necessary hardware. *Note: Big Brakes do NOT move wheels out from stock disc brake location. Also, #6267WBK-P13 and #6472WBK-P13 kits require disc brake spindles.*



**QUICK FACTS...**

STOCK/DROP	drop
ROTOR	13"
CALIPER	(2)52mm
OFFSET	+ .438"
MIN. WHEEL SIZE	17"
BACKSPACING	factory

**REAR BIG BRAKE KIT**

CPP's system uses a 12" cross-drilled, gas slotted and zinc washed rotor that mounts to the factory axle with the longer studs supplied, and mates up to a Lincoln Continental emergency brake style caliper mounted to the rear axle housing with a CPP custom caliper mounting bracket. Includes all the rotors, calipers, brake lines, brackets, cables, hoses, clips, instructions and necessary hardware to assure a hassle-free installation. This kit requires larger diameter disc brake type 16" wheels. (easy-to-use wheel template available online). These kits work with original rear end. *Note: Kits also available for Ford 9", please inquire.*

PART #	DESCRIPTION	RETAIL	JOBBER	DEALER
6267SWBK-D13	1962-67 Nova, plain calipers, (incl. 2" drop spindles) kit	\$999.00	\$899.00	\$764.00
6472SWBK-D13	1968-74 Nova & 1967-69 Camaro, plain calipers, (includes 2" drop spindles) kit	\$999.00	\$899.00	\$764.00
6472SWBK-S13	1968-74 Nova & 1967-69 Camaro, plain calipers, (incl. stock height spindles) kit	\$999.00	\$879.00	\$717.00
6267WBK-P13	1962-67 Nova, plain calipers, (no spindles) kit	\$799.00	\$703.00	\$599.00
6472WBK-P13	1968-74 Nova & 1967-69 Camaro, plain calipers, (no spindles) kit	\$799.00	\$703.00	\$599.00

PART #	DESCRIPTION	RETAIL	JOBBER	DEALER
6265RWBK-P12	1962-65 Nova, kit	\$699.00	\$615.00	\$490.00
6667RWBK-P12	1966-67 Nova, kit	\$699.00	\$615.00	\$490.00
67RWBK-P12	1967 Camaro, kit	\$699.00	\$615.00	\$490.00
6869RWBK-P12	1968-74 Nova & 1968-69 Camaro, kit	\$699.00	\$615.00	\$490.00
7078RWBK-P12	1970-78 Camaro, kit	\$699.00	\$615.00	\$490.00

# BRAKES | COMPLETE BRAKE KITS

## COMPLETE FRONT & REAR DISC BRAKE KITS

This is absolutely the most complete disc brake kit on the market and it is bolt-on easy to install. It includes a complete front disc brake wheel kit, (stock or drop spindle) complete rear disc brake kit, power brake booster with a 4-wheel disc brake master cylinder, OE style proportioning valve. Fully assembled kits also include front and rear OE material hard line kits and rear emergency brake cables. Please specify choice of booster size 7", 8", 9" and 11". Note: Drop spindles lower the center of gravity while maintaining the full suspension travel. This will drastically improve the ride, braking, steering and handling. 1962-67 stock height does not include spindles.

### QUICK FACTS...

STOCK/DROP	stock
ROTOR	11"
CALIPER	2.938"; 2.125"
OFFSET	+438"
MIN. WHEEL SIZE	15"
BACKSPACING	factory



PART #	DESCRIPTION	RETAIL	JOBBER	DEALER
<b>ASSEMBLED KITS:</b>				
6264FRBK-D*	1962-64 Nova - Drop spindle, kit	\$1,299.00	\$1,169.00	\$975.00
65FRBK-DN*	1965 Nova - Drop spindle, kit	\$1,299.00	\$1,169.00	\$975.00
66FRBK-DN*	1966 Nova - Drop spindle, kit	\$1,299.00	\$1,169.00	\$975.00
67FRBK-DN*	1967 Nova - Drop spindle, kit	\$1,299.00	\$1,169.00	\$975.00
67FRBK-S	1967 Camaro, Stock spindle, kit	\$1,199.00	\$1,055.00	\$899.00
67FRBK-D	1967 Camaro, Drop spindle, kit	\$1,299.00	\$1,169.00	\$975.00
6874FRBK-S	1968-74 Nova, 1968-69 Camaro - Stock, kit	\$1,199.00	\$1,055.00	\$899.00
6874FRBK-D	1968-74 Nova, 1968-69 Camaro - Drop, kit	\$1,299.00	\$1,169.00	\$975.00

\* Specify when using Mini Sub Frame Kit

PART #	DESCRIPTION	RETAIL	JOBBER	DEALER
<b>UNASSEMBLED KITS:</b>				
6264FRBK-S	1962-64 Nova - stock height (no spindles), kit	\$1,199.00	\$1,055.00	\$899.00
6566FRBK-SN	1965-66 Nova - stock height (no spindles), kit	\$1,199.00	\$1,055.00	\$899.00
67FRBK-SN	1967 Nova - stock height (no spindles), kit	\$1,199.00	\$1,055.00	\$899.00
6774FRBP-11	1967 Camaro, 11" booster, stock, kit	\$1,069.00	\$941.00	\$800.00
6774FRBP-11D	1967 Camaro, 11" booster, drop, kit	\$1,169.00	\$1,041.00	\$900.00
6474FRBP-9	1967 Camaro, 9" booster, stock, kit	\$1,069.00	\$941.00	\$800.00
6474FRBP-9D	1967 Camaro, 9" booster, drop, kit	\$1,169.00	\$1,059.00	\$876.00
6869FRBP-11	1968-69 Camaro, 1968-74 Nova, 11" booster, kit	\$1,169.00	\$1,059.00	\$876.00
6869FRBP-11D	1968-69 Camaro, 1968-74 Nova, 11" booster, drop, kit	\$1,069.00	\$1,941.00	\$800.00

NOVA / CAMARO



## STOCK SPINDLE COMPLETE FRONT BRAKE KITS

Improve the stopping power of your car while retaining your vehicles stock ride height. The early Nova kit works with 14" disc brake type wheel and keeps the wheels at the stock DRUM offset. The later Nova and Camaro kit works with most 15" wheels and moves the wheels out 7/16". Kits include rotors, loaded calipers, caliper brackets, bearings, seals, dust caps, spindle nuts, banjo bolts, power brake booster, master cylinder and OE style proportioning valve. 1968-74 Nova and 1967-69 Camaro kits also include disc brake spindles and dust shields. All "CBK" kits also include an OE material pre-bent hard line kit, but "FBP" kits do not. Note: 1962-67 Nova kit and #6474FRBP-9 will come with 9" booster and all other kits will come with 11" booster unless otherwise specified.

PART #	DESCRIPTION	RETAIL	JOBBER	DEALER
<b>ASSEMBLED KITS:</b>				
6874CBK-S	1968-74 Nova & 1967-69 Camaro, kit	\$699.00	\$629.00	\$525.00
<b>UNASSEMBLED KITS:</b>				
6264CBK-S	1962-64 Nova, kit	\$699.00	\$629.00	\$525.00
6566CBK-SN	1965-66 Nova, kit	\$699.00	\$629.00	\$525.00
67CBK-SN	1967 Nova, kit	\$699.00	\$629.00	\$525.00
6474FRBP-9	1968-74 Nova & 1967-69 Camaro, 9" booster, kit	\$575.00	\$506.00	\$431.00
6774FRBP-11	1968-74 Nova & 1967-69 Camaro, 11" booster, kit	\$575.00	\$506.00	\$431.00



#CPP6874CBK-D

\*Shown with optional upgraded rotors.



#CPP6566CBK-D

**DROP SPINDLE COMPLETE FRONT BRAKE KIT**

Our complete 2" drop spindle disc brake kit accepts factory ball joints and utilizes factory 5-lug steering arms, thus minimizing the modifications required for installation. The early Nova kit works with 14" disc brake type wheel and keeps the wheels at the stock DRUM offset. The later Nova and Camaro kit works with most 15" wheels and moves the wheels out 7/16". Kit includes spindles, rotors, loaded calipers, caliper brackets, dust shields (only late Nova and Camaro), bearings, seals, dust caps, spindle nuts, banjo bolts, power brake booster, master cylinder and OE style proportioning valve. Assembled ("CBK") kits also include an OE material hard line kit. Unassembled kits include our Econo drop spindle and assembled kits include our premium Modular™ drop spindles. *Notes: 1962-67 kit will come with 9" booster and all other kits will come with 11" booster unless otherwise specified. 1962-64 Nova kit requires the use of factory 5 lug steering arms or CPP replacement #6267SA.*

PART #	DESCRIPTION	RETAIL	JOBBER	DEALER
<b>ASSEMBLED KITS:</b>				
CPP6264CBK-D *	1962-64 Nova, kit	\$799.00	\$703.00	\$599.00
CPP6566CBK-D *	1965-66 Nova, kit	\$799.00	\$703.00	\$599.00
CPP67CBK-DN *	1967 Nova, kit	\$799.00	\$703.00	\$599.00
CPP6874CBK-D	1968-74 Nova & 1967-69 Camaro, kit	\$799.00	\$703.00	\$599.00
*Specify when using tubular upper arms				
<b>UNASSEMBLED KITS:</b>				
E6474FBP-D9	1968-74 Nova & 1967-69 Camaro, 9" booster, kit	\$675.00	\$600.00	\$500.00
E6474FBP-D11	1968-74 Nova & 1967-69 Camaro, 11" booster, kit	\$675.00	\$600.00	\$500.00



#6467WBK-S

\*Shown with optional upgraded rotors.



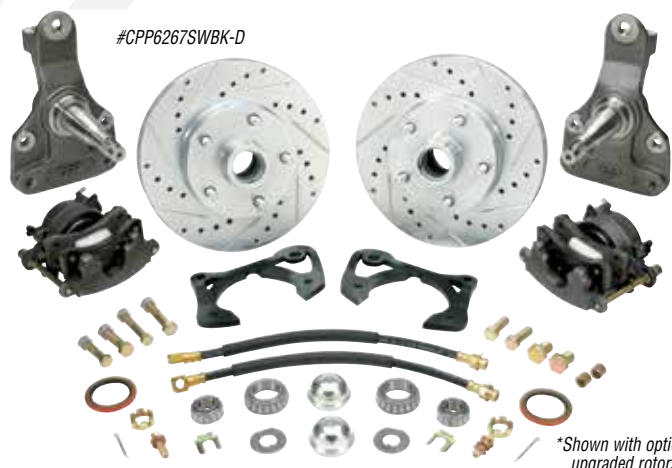
#6472SWBK-S

**STOCK SPINDLE COMPLETE FRONT BRAKE KITS**

Improve the stopping power of your car while retaining your vehicles stock ride height. The early Nova kit works with 14" disc brake type wheel and keeps the wheels at the stock DRUM offset. The later Nova and Camaro kit works with most 15" wheels and moves the wheels out 7/16". Kits include rotors, loaded calipers, caliper brackets, bearings, seals, dust caps, spindle nuts, banjo bolts, power brake booster, master cylinder and OE-style proportioning valve. 1968-74 Nova and 1967-69 Camaro kits also include disc brake spindles and dust shields. All "CBK" kits also include an OE material pre-bent hard line kit, but "FBP" kits do not. *Note: 1962-67 Nova kit and #6474FBP-9 will come with 9" booster and all other kits will come with 11" booster unless otherwise specified.*

PART #	DESCRIPTION	RETAIL	JOBBER	DEALER
<b>ASSEMBLED KITS:</b>				
6267SWBK-S	1962-67 Nova (includes spindles and steering arms), kit	\$649.00	\$571.00	\$485.00
6472SWBK-S	1968-74 Nova & 1967-69 Camaro, stock height, kit	\$449.00	\$395.00	\$330.00
7078SWBK-S	1975-79 Nova, 1970-78 Camaro, stock height, kit	\$549.00	\$483.00	\$410.00
<b>UNASSEMBLED KITS:</b>				
6467WBK-S	1962-67 Nova (does not include spindles), kit	\$449.00	\$395.00	\$315.00
6474WBP-S	1968-74 Nova & 1967-69 Camaro, stock height, kit	\$399.00	\$351.00	\$299.00

NOVA / CAMARO



\*Shown with optional upgraded rotors.



\*Shown with optional upgraded rotors.

## DROP SPINDLE COMPLETE FRONT BRAKE KIT

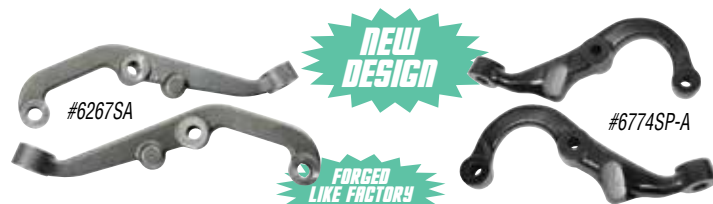
Our 2" drop spindle wheel brake kit accepts factory ball joints and utilizes factory 5-lug steering arms, thus minimizing the modifications required for installation. The early Nova kit works with 14" disc brake type wheel and maintains the factory DRUM brake offset. The later Nova and Camaro kits work with most 15" wheels and moves the wheels out 7/16". Kit includes spindles, rotors, loaded calipers, caliper brackets, dust shields, bearings, seals, dust caps, spindle nuts, banjo bolts, and hardware. Unassembled kits include our Econo drop spindle and assembled kits include our premium Modular™ drop spindles. *Notes: 1962-64 Nova kit requires the use of factory 5-lug steering arms or CPP replacement #6267SA.*

PART #	DESCRIPTION	RETAIL	JOBBER	DEALER
<b>ASSEMBLED KITS:</b>				
CPP6267SWBK-D	1962-64 Nova, Modular™ 2" drop, kit	\$525.00	\$472.00	\$394.00
6474SWBK-D	1968-74 Nova & 1967-69 Camaro, Modular™ 2" drop, kit	\$499.00	\$449.00	\$375.00
7078SWBK-D	1975-79 Nova & 1970-78 Camaro, kit	\$549.00	\$483.00	\$410.00
7981SWBK-D	1979-81 Camaro, kit	\$549.00	\$483.00	\$410.00
<b>UNASSEMBLED KIT:</b>				
E6474WBP-D	1968-74 Nova & 1967-69 Camaro, Econo 2" drop, kit	\$449.00	\$395.00	\$330.00

NOVA / CAMARO



\*Shown with optional upgraded rotors.



## STEERING ARMS

A new reproduction forged to look and perform just like the original steering arms. No more having to grind them down or dispose of them when using the old style spindles and brake kits. Install these when you upgrade the brakes, spindles or lower control arms.

PART #	DESCRIPTION	RETAIL	JOBBER	DEALER
6267SA	1962-67 Nova (5 Lug), pr	\$69.00	\$61.00	\$49.00
6774SP-A	1968-74 Nova & 1967-69 Camaro, pr	\$69.00	\$61.00	\$49.00

## STEERING ARM HARDWARE KIT



PART #	DESCRIPTION	RETAIL	JOBBER	DEALER
CPSAH-K	kit	\$7.00	\$6.00	\$5.00

## 12" ROTOR DROP SPINDLE WHEEL BRAKE KITS

This new and revised kit has almost everything you need to add 12" disc brakes and 2" drop spindles to your disc or drum brake car, including NEW loaded (with disc pads) big piston calipers, 12" one-piece rotors, bearings, seals, dust caps, spindle nuts, hardware, and rubber brake hoses. Works with most 15" or larger custom wheels. Provides a full 2" drop and does not change the car's steering geometry. *Note: maximum backspace 4 3/8".*

### QUICK FACTS...

STOCK/DROP	drop
ROTOR	12"
CALIPER	2.938"
OFFSET	+188"
MIN. WHEEL SIZE	16"
BACKSPACING	max 4 3/8"

PART #	DESCRIPTION	RETAIL	JOBBER	DEALER
6769SWBK-D12	67-69 Camaro, 68-74 Nova, kit	\$409.00	\$368.00	\$309.00
6769SWBK-D12-UG	w/ upgraded rotors & hoses, kit (shown)	\$509.00	\$427.00	\$375.00

Add -WWB (black) or -WWR (red) to any front kit

Includes: Upgrade to Wilwood D52 red or black calipers, cross drilled & gas slotted rotors, and stainless hoses.

**\$199.00**

Note: Purchase of brake kit required.



**Add "-UG" to any kit for drilled/slotted rotors and stainless hoses:**  
**+ \$200 for 4 Wheel**  
**+ \$100 for Front or Rear only**





#7081SWBK



**BEST VALUE!**

**C5 SPINDLE WHEEL BRAKE KIT**

The New CPP's Upright/Spindles are a direct bolt in replacement for many of GM's A/F/X body applications. These use the popular Generation 5 (C5) Corvette Bearing hub assemblies.

By using this new style setup, you eliminate common brake issues caused by spindle pin flex like caliper piston pushback. This is common with brake systems using the traditional spindle pin design.

This is taken care of by utilizing the modern sealed bearing and hub as one assembly. This hub bolts directly into the new upright/spindle. No bearings to grease since the hub and bearing is fully sealed.

These new design spindles also allow the use of other popular brake kit options from brands like Baer, Brembo, Wilwood, Stock C5 Corvette and others. Our part # CP30013 is also a slightly taller spindle from ball joint to ball joint and will have a better less effected camber change during suspension travel creating this tall spindle effect without the need to change upper control arms like other "Tall" spindles that are on the market today. Other key features of these new spindles are that the track width will remain the same as stock drum brakes so your tires will not move out; Keeping the front hub to hub distance the same as factory. Also, they allow the factory bolt on steering arms to be mounted keeping the steering geometry stock and true.

The CPP C5 uprights/Spindles are available today for the very popular GM A/F/X body and the 2nd generation F body cars. The CP30013 Will fit 64-72 Chevy Chevelle, El Camino, 1970-72 Monte Carlo as well as all the other Popular GM A body cars from 1964-72. These also fit 1967-69 F body applications like the 1967-69 Camaro, 1967-69 Firebird and Trans Am as well as the 1968-74 GM X body like the Nova, Apollo, Omega and Ventura's though the same year span. The CP30014 fit 1970-81 F Body cars like the Camaro, Firebird and Trans Am.



#6474SWBK



AVAILABLE IN  
RED OR  
BLACK

PART #	DESCRIPTION	RETAIL	JOBBER	DEALER
6474SWBK-STC5-B	1968-74 Nova & 1967-69 Camaro, black caliper, kit	\$649.00	\$589.00	\$480.00
6474SWBK-STC5-R	1968-74 Nova & 1967-69 Camaro, red caliper, kit	\$649.00	\$589.00	\$480.00
7081SWBK-SC5-B	1970-78 Camaro & 1975-79 Nova, C5, black caliper, kit	\$649.00	\$589.00	\$480.00
7081SWBK-SC5-R	1970-78 Camaro & 1975-79 Nova, C5, red caliper, kit	\$649.00	\$589.00	\$480.00

\*Shown with optional upgraded rotors.



QUICK FACTS...	
STOCK/DROP	n/a
ROTOR	11"
CALIPER	2.120"
OFFSET	+ .125"
MIN. WHEEL SIZE	15"
BACKSPACING	n/a

## 10 & 12 BOLT FLANGE REAR BRAKE KIT

Designed to bolt directly to 10 or 12 bolt rear-end. Easy bolt-on installation. Kit includes rotors, calipers with built in E-brake, E-brake cables, rubber hose kit and all mounting hardware. Will work with C-clip eliminators. Some modifications may be necessary. *Note: Specify if using BOP rear end. Also, occasionally extra shims are required to align the rear caliper.*



PART #	DESCRIPTION	RETAIL	JOBBER	DEALER
6263RWBK-E	1962-63 Nova, 4-lug, (requires axles to be drilled to 5 lug), kit	\$599.00	\$527.00	\$449.00
6263RWBK-S	1962-63 Nova, 4-lug, (requires axles to be drilled to 5 lug), w/o Emergency Brake, kit	\$499.00	\$439.00	\$339.00
1012RWBK-SE-6265	1962-65 Nova, 5-lug, kit	\$599.00	\$527.00	\$449.00
1012RWBK-SS-6265	1962-65 Nova, w/o E-Brake (non E-Brake caliper), kit	\$499.00	\$439.00	\$339.00
1012RWBK-SE-6667	1966-67 Nova, kit	\$599.00	\$527.00	\$449.00
1012RWBK-SS-6667	1966-67 Nova, w/o E-Brake (non E-Brake caliper), kit	\$499.00	\$439.00	\$339.00
1012RWBK-SE-67	1967 Camaro w/ E-Brake, kit	\$599.00	\$527.00	\$449.00
1012RWBK-SS-67	1967 Camaro w/o E-Brake, staggard (non E-Brake caliper), kit	\$499.00	\$439.00	\$339.00
1012RWBK-SE-6869	1968-69 Camaro, 1968-74 Nova, w/ E-Brake, staggard, kit	\$599.00	\$527.00	\$449.00
1012RWBK-SS-6869	1968-69 Camaro, 1968-74 Nova, w/o E-Brake, staggard (non E-Brake caliper), kit	\$499.00	\$439.00	\$339.00
1012RWBK-SE-7078	1970-78 Camaro w/E-Brake, kit	\$599.00	\$527.00	\$449.00
1012RWBK-SS-7078	1970-78 Camaro w/o E-Brake, kit	\$499.00	\$439.00	\$339.00
37012	.125" shim, each (will not fit #6263RWBK-E or #6263RWBK-S)	\$4.00	\$4.00	\$3.00
37013	.048" shim, each (will not fit #6263RWBK-E or #6263RWBK-S)	\$4.00	\$4.00	\$3.00

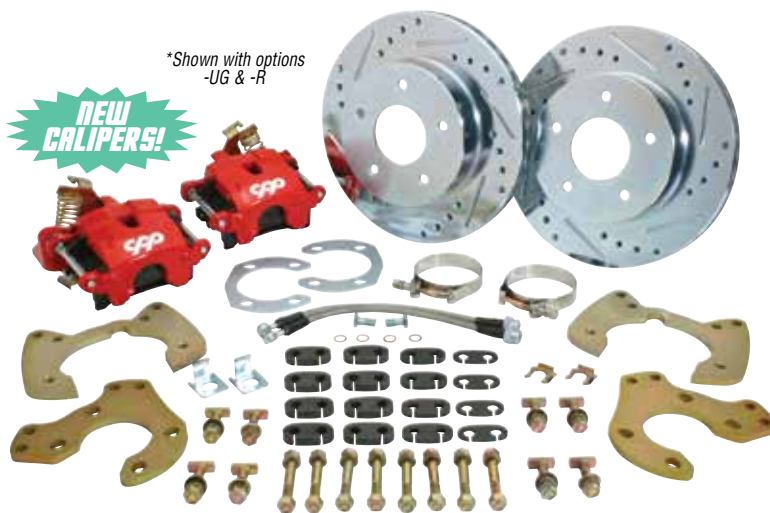
*Note: Add BOP to end of part number for Buick, Olds, or Pontiac rear ends.*

**Remember when upgrading disc brakes you must upgrade to a disc brake master cylinder and proportioning valve.**

QUICK FACTS...	
STOCK/DROP	n/a
ROTOR	11"
CALIPER	2.125"
OFFSET	+ .125"
MIN. WHEEL SIZE	15"
BACKSPACING	n/a

## 9" FORD FLANGE REAR BRAKE KITS

We now offer bolt-on rear disc brake kits for cars and trucks using the always popular Ford 9" rear end. Perfect for the enthusiast that has upgraded his rear end and now wants the ultimate in braking. Kits include rotors, calipers, caliper mounting brackets, rubber hose kit, and mounting hardware. *Note: All kits work with small or large bearings. Caliper brackets work with both 2.37" and 2.50" for 9" flange. 3/8" flange bolt kits will also fit 8" Ford rear end. Also, occasionally extra shims are required to align the rear caliper.*



\*Shown with options -UG & -R

**NEW CALIPERS!**

PART #	DESCRIPTION	RETAIL	JOBBER	DEALER
CP2105-38-5434	Ford psngr car 9" (4.75 bolt pattern), 3/8" flange bolts, kit	\$599.00	\$527.00	\$419.00
CP2105-50-5434	Ford psngr car 9" (4.75 bolt pattern), 1/2" flange bolts, kit	\$599.00	\$527.00	\$419.00
10271	.048" shim, each (for 3/8" flange bolts)	\$4.00	\$4.00	\$3.00
10423	.048" shim, each (for 1/2" flange bolts)	\$4.00	\$4.00	\$3.00

## REAR DISC EMERGENCY BRAKE CABLES

Rear emergency brake cables are made to connect the original front cables to the new CPP rear calipers. Cables are made specifically for each application to ensure an easy installation and fit.

PART #	DESCRIPTION	RETAIL	JOBBER	DEALER
6267EBC	1962-67 Nova, each	\$89.00	\$78.00	\$65.00
67EBC	1967 Camaro, pair	\$89.00	\$78.00	\$65.00
6869EBC	1968-74 Nova & 1968-69 Camaro, pair	\$69.00	\$66.00	\$49.00
7078EBC	1970-78 Camaro, pair	\$89.00	\$78.00	\$65.00
7981 EBC	1979-81 Camaro, pair	\$89.00	\$78.00	\$65.00



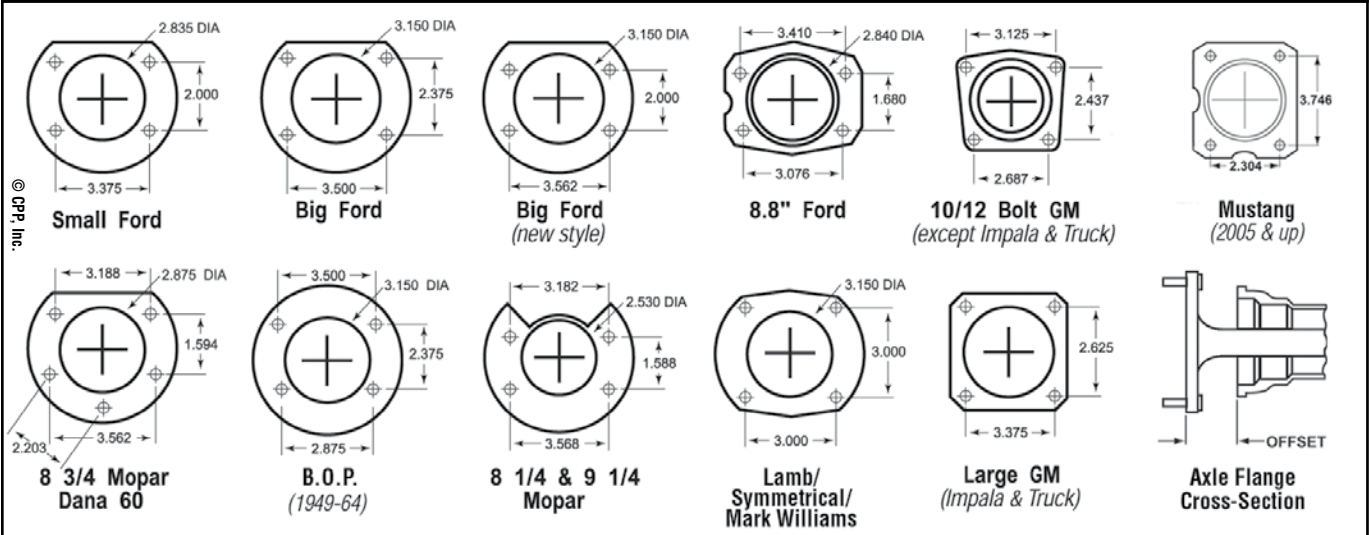
**REAR BRAKE PACKAGE**

CPP's rear brake package is the same quality kit as our Rear Emergency Brake Kits, but without the hard lines or e-brake cables. Fits 10 or 12 bolt axle. Also, occasionally extra shims are required to align the rear caliper.

PART #	DESCRIPTION	RETAIL	JOBBER	DEALER
<b>GM 10 or 12 BOLT REAR END</b>				
1012RBP	1967 Camaro, kit	\$499.00	\$449.00	\$375.00
1012RBP-S	1968-78 Camaro, 1968-74 Nova kit	\$499.00	\$449.00	\$375.00
37012	.125" shim, each	\$4.00	\$4.00	\$3.00
37013	.048" shim, each	\$4.00	\$4.00	\$3.00

\*Not for BOP rear ends.

**REAR HOUSING FLANGE CHART AND AXLE FLANGE/OFFSET CROSS SECTION**



**Add -WWB (black) or -WWR (red) to any front kit**

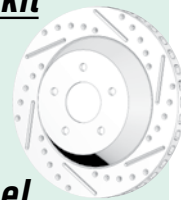
Includes: Upgrade to Wilwood D52 red or black calipers, cross drilled & gas slotted rotors, and stainless hoses.

**\$199.00**

Note: Purchase of brake kit required.



**Add "-UG" to any kit for drilled/slotted rotors and stainless hoses:**  
 + \$200 for 4 Wheel  
 + \$100 for Front or Rear only



NOVA / CAMARO



#6474SMK-D



## MINI™ DISC KITS

Kits include the specialty parts you can't buy just anywhere. Save on freight with just the necessities. Kits work with components available at your local auto parts store. Backed by our limited CPP lifetime warranty.



#E6474SMK-D - Econo Spindles

PART #	DESCRIPTION	RETAIL	JOBBER	DEALER
6474SMK-S	1967-69 Camaro & 1968-74 Nova, stock spindle	\$189.00	\$166.00	\$115.00
6474SMK-D	1967-69 Camaro & 1968-74 Nova, drop spindle	\$299.00	\$263.00	\$205.00
E6474SMK-D	1967-69 Camaro & 1968-74 Nova, econo drop spindle	\$249.00	\$225.00	\$175.00

## ECONO LINE DROP SPINDLES

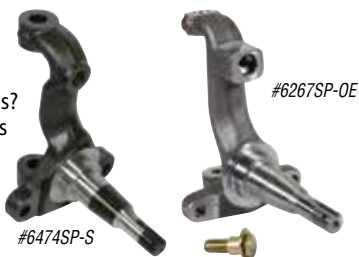
These spindles work with original disc as well as the ever-popular Big Brake kits. Its unique design not only lowers your vehicle 2", it allows the use of stock steering arms and the factory 11" single piston disc brakes all for a very affordable price.



PART #	DESCRIPTION	RETAIL	JOBBER	DEALER
E6474DS	1964-72, pair	\$179.00	\$160.00	\$135.00

## STOCK DISC BRAKE SPINDLES

Looking to convert to front disc brakes? If so, then you'll need our components designed specifically to allow you to complete the job the right way. Note: #6267SP-OE will retrofit 1966-67 with included anchor bolt and spacer.

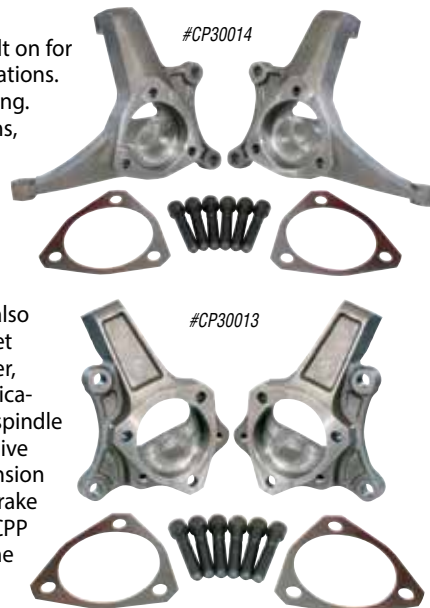


#6267SP-OE

PART #	DESCRIPTION	RETAIL	JOBBER	DEALER
6474SP-S	1968-74 Nova & 1967-69 Camaro, disc, each	\$99.00	\$89.00	\$59.00
6267SP-OE	1964-65 Nova, 1/2"-20 anchor bolt, drum, each	\$99.00	\$89.00	\$59.00
6267SP-S	1964-65 Nova, 1/2"-20 anchor bolt, disc, each	\$99.00	\$89.00	\$59.00

## NEW C5 SPINDLES

These spindles are a direct bolt on for many "A," "F" & "X" body applications. This spindle utilizes a C5 bearing. Flex on the factory spindle pins, which causes caliper piston push back, is eliminated by using this type of sealed bearing pack. This condition is especially apparent with aftermarket radial mount style calipers. These spindles also utilize C5 brakes or aftermarket alternatives (a direct fit for Baer, Brembo and Wilwood C5 applications). #CP30013 is also a tall spindle and has a different, or aggressive camber change during suspension movement, keeps the drum brake offset and utilizes original or CPP replacement steering arms. The CP30014 is the first of its kind and exclusive to CPP.



PART #	DESCRIPTION	RETAIL	JOBBER	DEALER
CP30013	1967-69 Camaro & 1968-74 Nova, pair	\$269.00	\$249.00	\$195.00
CP30014	1970-81 Camaro & 1975-79 Nova, pair	\$269.00	\$249.00	\$195.00
513139	Hub and bearing pack, each	\$79.00	\$71.00	\$59.00

## 2" MODULAR™ DROP SPINDLES

CPP's one-piece forged iron design with pressed in alloy steel axle pin; installs with no modifications; and lowers your vehicle 2". In some cases, this is accomplished without moving the wheels out! These work with CPP Big Brakes and many manufacturers brake kits in many different brake sizes...ideal for today's larger wheels.



PART #	DESCRIPTION	RETAIL	JOBBER	DEALER
CP30103	1962-67 Nova, pair	\$225.00	\$198.00	\$165.00
CP30100	1967-69 Camaro, 68-74 Nova, pair	\$225.00	\$198.00	\$165.00

## ORIGINAL COMPONENT DROP SPINDLES

These newly designed drop spindles will allow the use of your original rotors and calipers, yield a 2" drop and will not affect the offset of your wheels.



PART #	DESCRIPTION	RETAIL	JOBBER	DEALER
7078DS	1970-78 Camaro, 1975-78 Nova, pair	\$249.00	\$225.00	\$184.00
7981DS	1979-81 Camaro, pair	\$249.00	\$225.00	\$184.00

## NEW SCHOOL SPINDLES FOR 12" DISC BRAKE FOR 15" + WHEELS

These newly revised cast iron spindles allow you to add 12" disc brakes to your car. Works with 1970-78 Camaro calipers and 1988-92 Camaro 1LE 12" rotors. Will accept most 15" disc or larger custom wheels. Provides a full 2" drop and does not change the car's geometry. Note: Wheels can not exceed 3 1/2" backspace.



PART #	DESCRIPTION	RETAIL	JOBBER	DEALER
6774DS-12	1967-69 Camaro & 1968-74 Nova, pr	\$189.00	\$166.00	\$115.00





**OEM-STYLE DISC BRAKE DUST SHIELDS**

Stock type disc brake dust shields. Works with OE style disc brakes. #CPDS-10 also work with CPP OE style stock & drop spindles. #DBDS-M work with #CP30100 Modular™ and Econo drop spindles.

PART #	DESCRIPTION	RETAIL	JOBBER	DEALER
DBDS	1967-69 Camaro & 1968-74 Nova, stock disc spindle, pair	\$39.00	\$34.00	\$20.00
DBDS-M	CP30100 Modular™ & econo drop spindles, pair	\$49.00	\$43.00	\$29.00

**DISC BRACKETS**

These caliper brackets are designed to fit 1967-69 Camaro and 1968-74 Nova (requires disc brake spindles).



PART #	DESCRIPTION	RETAIL	JOBBER	DEALER
6474DB	1967-69 Camaro & 1968-74 Nova, pair	\$55.00	\$48.00	\$40.00
6474DB-M	Fits #CP30100 and #E6474DS, pair	\$80.00	\$70.00	\$55.00



**DROP SPINDLE BRAKE COMPONENTS & KITS**

Top quality rotors, calipers, hoses, bearings and seals...all the parts necessary to turn your drop spindles into a complete brake system. Deluxe (UG) kits come with drilled/slotted rotors and stainless steel hoses. Standard kits come with plain rotors and rubber hoses. Kits include rotors, calipers, brake hoses, bearings, seals, banjo bolts and spindle nut kits. Individual components also available.

PART #	DESCRIPTION	RETAIL	JOBBER	DEALER
2705	standard fits #7078DS, pair	\$225.00	\$214.00	\$205.00
2705UG	deluxe fits #7078DS, pair	\$325.00	\$309.00	\$275.00
2709	standard fits #6474SP-S, #CP30100, pair	\$225.00	\$214.00	\$205.00
2709UG	deluxe fits #6474SP-S, #CP30100, pair	\$325.00	\$309.00	\$275.00
2711	standard fits ALL 12" rotor spindles, kit	\$225.00	\$214.00	\$205.00
2711UG	deluxe fits ALL 12" rotor spindles, kit	\$325.00	\$309.00	\$275.00



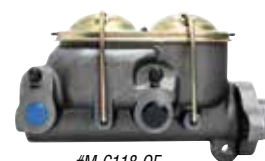
**BRAKE LINE KITS**

We've got power brake pre-bent lines, rear axle lines for disc and universal kits for your street rod or custom application. Pre-bent line kits require no bending or flaring of lines, just bolt them in. Universal kits available in an affordable basic kit and also a deluxe kit. Most line kits are available in original material (OM) or stainless steel (SS). Note: Some line kits ship O/S; additional freight charges apply. Also, these kits will not work with aftermarket IFS clips.

PART #	DESCRIPTION	RETAIL	JOBBER	DEALER
6264FLK-OM	1962-64 Nova front, original material, kit	\$69.00	\$66.00	\$57.00
6264FLK-SS	1962-64 Nova front, stainless steel, kit	\$89.00	\$86.00	\$77.00
6265RLK	1962-65 Nova rear, original material, kit	\$35.00	\$31.00	\$24.00
6367RLK-CURRIE-OM	1963-67 Nova w/ Currie rear end, disc, orig. mat., kit	\$35.00	\$31.00	\$24.00
6367RLK-CURRIE-SS	1963-67 Nova w/ Currie rear end, disc, stainless st., kit	\$50.00	\$44.00	\$32.00
6566FLK-OM	1965-66 Nova front, original material, kit	\$69.00	\$66.00	\$57.00
6566FLK-SS	1965-66 Nova front, stainless steel, kit	\$89.00	\$85.00	\$77.00
6667RLK-OM	1966-67 Nova rear, original material, kit	\$35.00	\$31.00	\$24.00
67FLK-OM-NP	1967 Nova mini kit, front, original material, kit	\$35.00	\$31.00	\$24.00
67FLK-SS-NP	1967 Nova mini kit, front, stainless steel, kit	\$50.00	\$44.00	\$32.00
6769FLK-OM	1967-69 Camaro, 1968-74 Nova mini kit, front, original material, kit	\$29.00	\$26.00	\$19.00
6769FLK-SS	1967-69 Camaro, 1968-74 Nova mini kit, front, stainless steel, kit	\$39.00	\$34.00	\$29.00
6769LK-OM	1967-69 Camaro, 1968-74 Nova front, original material, kit	\$79.00	\$70.00	\$59.00
6769LK-SS	1967-69 Camaro, 1968-74 Nova front, stainless steel, kit	\$99.00	\$90.00	\$75.00
6769RLK-OM	1967-69 Camaro, 1968-74 Nova rear, original material, kit	\$35.00	\$31.00	\$24.00
6769RLK-SS	1967-69 Camaro, 1968-74 Nova rear, stainless steel, kit	\$50.00	\$44.00	\$32.00
6769RLK-CURRIE-OM	1967-67 Camaro, 1968-74 Nova w/ Currie rear end, disc, orig. mat., kit	\$35.00	\$31.00	\$24.00
6769RLK-CURRIE-SS	1967-67 Camaro, 1968-74 Nova w/ Currie rear end, disc, stainless st., kit	\$50.00	\$44.00	\$32.00



#M-82017



#M-C118-OE

**OE FIT MASTER CYLINDERS**

Original fit and finish, all brand new masters.

PART #	DESCRIPTION	RETAIL	JOBBER	DEALER
M-82017	1964-66, each	\$69.00	\$61.00	\$44.00
M-C118-OE	1967-72 Power w/5468309 stamping, ea	\$89.00	\$78.00	\$55.00

**FRONT DISC BRAKE LINE TAB KIT**

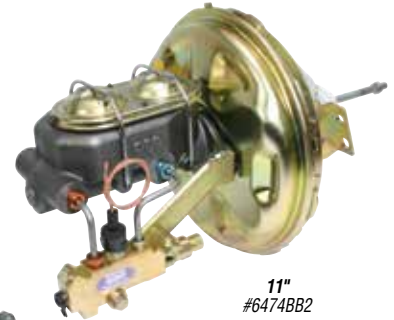
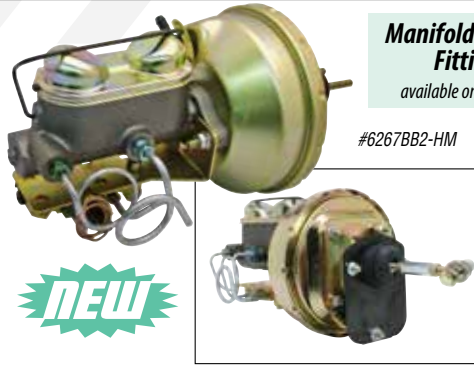
These improved design tabs are engineered to keep the hard lines in an ideal location for disc brakes. Sold in pairs.



PART #	DESCRIPTION	RETAIL	JOBBER	DEALER
6769FDBL-TK	1967-69 Camaro, 1968-74 Nova, pr	\$29.00	\$26.00	\$20.00

NOVA / CAMARO

# BRAKES | VACUUM BRAKE BOOSTER KITS

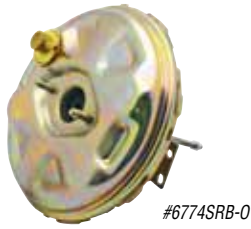


## FIREWALL BRAKE BOOSTER KITS

Due to higher line pressures required with disc brakes, it is recommended that a power assist unit be added to the system. These vacuum assist units are the solution! Firewall brake booster units tuck to the firewall and include a firewall seal to prevent fumes from entering the vehicle. Kit includes booster and 3/16" mounting brackets, linkage to connect to the pedal, firewall seal, and master cylinder. Disc/drum and disc/disc kits also include proportioning valve and bracket assembly. Kits available in 7", 8", 9" or 11" and both single and dual diaphragm. If not specified, default booster diameter for your application will be provided. *Note: #7377B-MC does not include proportioning valve assembly.*

PART #	DESCRIPTION	RETAIL	JOBBER	DEALER
6267BBD	1962-67 Nova, drum/drum, kit	\$299.00	\$263.00	\$210.00
6267BB2	1962-67 Nova, disc/drum, (3-bolt) kit	\$299.00	\$263.00	\$210.00
6267BB4	1962-67 Nova, disc/disc, (3-bolt) kit	\$299.00	\$263.00	\$210.00
6267BB2-HM*	1962-67 Nova, (high mount) disc/drum, kit	\$329.00	\$290.00	\$230.00
6267BB4-HM*	1962-67 Nova, (high mount) disc/disc, kit	\$329.00	\$290.00	\$230.00
6474BBD	1968-74 Nova, 1967-69 Camaro, drum/drum, kit	\$299.00	\$263.00	\$210.00
6474BB2	1968-74 Nova, 1967-69 Camaro, disc/drum, kit	\$299.00	\$263.00	\$210.00
6474BB4	1968-74 Nova, 1967-69 Camaro, disc/disc, kit	\$299.00	\$263.00	\$210.00
6769BB2-OE	1967-69 Camaro, (OE style) disc/drum, kit	\$299.00	\$263.00	\$210.00
7079BB2	1970-79 Camaro, disc/drum, kit	\$299.00	\$263.00	\$210.00
7079BB4	1970-79 Camaro, disc/disc, kit	\$299.00	\$263.00	\$210.00

\*Will not work with stock inner fender panels.



## OEM REPLACEMENT BRAKE BOOSTERS

Replace your original or upgrade to power with one of CPP's brake boosters. All boosters are brand new and are available in both brilliant gold cadmium plating or a production chrome. Applications come with firewall bracketry and pedal linkage. All boosters come with a long and short pin for either deep or shallow master cylinders.

PART #	DESCRIPTION	RETAIL	JOBBER	DEALER
6267SRB-O	1962-67 Nova, gold cad	\$149.00	\$131.00	\$95.00
6267SRB-OC	1962-67 Nova, chrome	\$249.00	\$220.00	\$170.00
6774SRB-O	1967-69 Camaro, 1968-74 Nova, gold cad	\$149.00	\$131.00	\$95.00
6774SRB-OC	1967-69 Camaro, 1968-74 Nova, chrome	\$249.00	\$220.00	\$170.00

## POWER BRAKE BOOSTER BOOT, CLEVIS & PIN KIT

Necessary when converting from manual to power brakes. 2-3/8" and 4" booster pins available.



PART #	DESCRIPTION	RETAIL	JOBBER	DEALER
6474SRB-BK	1967-69 Camaro & 1968-74 Nova, complete, kit	\$12.00	\$11.00	\$6.00
6474SRB-B	1967-69 Camaro & 1968-74 Nova, boot, each	\$5.00	\$4.00	\$3.00
6474SRB-C	1967-69 Camaro & 1968-74 Nova, booster clevis, each	\$5.00	\$4.00	\$3.00
6474SRB-SP	1967-69 Camaro & 1968-74 Nova, 2-3/8" booster pin (shallow bore master), each	\$2.00	\$2.00	\$1.00
6474SRB-DP	1967-69 Camaro & 1968-74 Nova, 4" booster pin (deep bore master), each	\$2.00	\$2.00	\$1.00



Show Stopper



Street Beast



#HAHK-S Line Kit included with Show Stopper Kit



#HAHK-R Line Kit included with Street Beast Kit

**HYDRA STOP™ HYDRAULIC ASSIST SYSTEM**

We now offer a high-quality direct bolt-in hydraulic brake booster kit designed to upgrade manual or vacuum-assisted brakes with a powerful and compact modern hydraulic assist unit. These systems include everything you need to install into your vehicle. Most installations can be accomplished in an afternoon, using common hand tools, with average mechanical skill levels. These systems consist of a direct fit high performance, hydraulic brake assist unit (with options for steel or billet aluminum firewall mounting bracket); braided stainless or rubber, high pressure line set ; heavy duty power steering return line; pedal rod hardware and mounting hardware. Using all new parts, this unit puts out an amazing 1800psi at the wheels! The "Show Stopper" package includes: Hydraulic Brake Assist unit with billet aluminum firewall mounting bracket, #MCPV1 master cylinder, chrome accumulator cover, stainless pressure hoses, rubber return hoses and all necessary fittings and hardware for installation. The "Street Beast" package includes: Hydraulic Brake Assist Unit with steel firewall mounting bracket, aluminum corvette style master cylinder, side mounted Prop & Stop Block kit, rubber pressure & return hoses and all necessary fittings and hardware for installation. Bare Units are Hydraulic Assist only, master cylinder and hoses are not included.

PART #	DESCRIPTION	RETAIL	JOBBER	DEALER
6474HBK-SS	1967-69 Camaro & 1968-74 Nova, Show Stopper, kit	\$899.00	\$829.00	\$675.00
6474HBK-SB	1967-69 Camaro & 1968-74 Nova, Street Beast, kit	\$749.00	\$695.00	\$560.00

**Bare Units:**

6474HBK-BSS	1967-69 Camaro & 1968-74 Nova, billet bracket, each	\$469.00	\$435.00	\$349.00
6474HBK-BSB	1967-69 Camaro & 1968-74 Nova, steel bracket, each	\$389.00	\$365.00	\$299.00
HAHK-S	Stainless Hose, kit	\$199.00	\$180.00	\$149.00
HAHK-R	Rubber Hose, kit	\$115.00	\$104.00	\$85.00



**HYDRAULIC BOOSTER BRACKET KIT**

This attractive billet bracket will allow the use of a GM L/T hydraulic brake assist on your 1st gen Camaro or 2nd gen Nova and bolt directly to your firewall. Kit includes billet mounting bracket and installation tool.

PART #	DESCRIPTION	RETAIL	JOBBER	DEALER
6474HBB-K	1967-69 Camaro & 1968-74 Nova, kit	\$129.00	\$116.00	\$95.00
7079HBB-K	1970-79 Camaro, kit	\$129.00	\$116.00	\$95.00

**HYDRAULIC BRAKE ASSIST UNIT COVER**

This attractive chrome plated cover will add a little something extra to the appearance of your hydraulic brake booster when used to slip over the accumulator unit. Includes hex head set screws to lock in place.

PART #	DESCRIPTION	RETAIL	JOBBER	DEALER
CP5100	Chrome Accumulator cover, each	\$69.00	\$62.00	\$49.00



**MAGNA-PURE™ IN-LINE FILTER**

Debris is a major cause of steering system failure. It travels via power steering fluid throughout the entire system, eroding and clogging various components and hoses, leading to expensive repairs. Flushing the steering system helps ensure quality repair, but does not remove 100% of debris. CARDONE's exclusive Magna-Pure™ filtration extends steering system life and ensures proper performance over the long haul.



PART #	DESCRIPTION	RETAIL	JOBBER	DEALER
20-0038F	3/8" lines, each	\$20.00	\$19.00	\$18.00

**Tools to Help Your Customers Get the Job Done!**

Check out our new Power Brake Booster Install Kits

#PDBI-K25 (25" hose)  
\$27.00

#PDBI-K50 (50" hose)  
\$29.00



**BRAND NEW!**

#E6267M2IFS-K

**INCLUDES  
NEW POWER RACK,  
PERFORMANCE BRAKE  
KIT & SWAY BAR!**



Shown with Power Rack & Upgraded Rotors



## MUSTANG II IFS SYSTEM

Enjoy the comfort and benefits of having an independent suspension system in your Nova without paying the big prices of other kits. These kits come with Mustang II clip, coil springs, 2" drop or stock spindles, brakes with billet aluminum hubs, shocks, upper and lower control arms, rack & pinion, adjustable heim jointed down bars, plus mounting hardware. Specify manual or power steering and stock or dropped spindles. Rotors are 5x4.75 lug pattern. Mustang II clip also sold separately. Modified inner fender panels also available. Available with 5x4.5 and 5x4.75 patterns.

PART #	DESCRIPTION	RETAIL	JOBBER	DEALER
E6267M2IFS-K	1962-67 Economy Mustang II, complete kit	\$1,799.00	\$1,629.00	\$1,299.00
E6267M2-X	1962-67 Economy Mustang II, welded crossmember, kit	\$509.00	\$459.00	\$359.00
6265IFP	1962-65, inner fender panels, pair	\$199.00	\$179.00	\$139.00
6667IFP	1966-67, inner fender panels, pair	\$199.00	\$179.00	\$139.00

## STOCK SUBFRAME KIT

Freshen up or completely restore your stock Camaro front subframe with all new parts and enjoy the modern amenities of disc brakes and power steering. This kit comes with a stock subframe that is painted for protection from the elements. It also includes a stock spindle disc brake wheel kit, power steering gear box, stamped OE style control arms, steering linkage, steering arms, coil springs, shocks, sway bar, and small block Chevy motor perches. Many brake, control arm and steering box upgrades are available, ask your customer service rep when ordering.

**BRAND NEW!**



PART #	DESCRIPTION	RETAIL	JOBBER	DEALER
67FSC-K	1967 Camaro, kit	\$2,759.00	\$2,639.00	\$2,399.00
68FSC-K	1968 Camaro, kit	\$2,759.00	\$2,639.00	\$2,399.00
69FSC-K	1969 Camaro, kit	\$2,759.00	\$2,639.00	\$2,399.00

**NEW**



#6774CPP-K



#7081CPP-K



#6267CPP-K



**COMPLETE PERFORMANCE PACKAGE**

Get a Complete Performance Package and tune up your chassis with some of the best upgrades for a great price! This package teams up all of the pieces that will convert your ride into a corner carver on the track and a pleasure to drive on the streets. Early Nova kits feature our innovative MINI™ Sub-Frame and 400 Series™ performance steering box and also includes Totally Tubular™ upper control arms, Caltracs traction bars and a set of 2" drop Modular™ disc brake spindles. Late Nova & Camaro kits include upper and lower Totally Tubular™ control arms,

500 Series™ performance power steering box, 2" drop rear leaf kit and feature our C5 spindles & hubs that offer the latest in braking technology. All kits also include front coil springs, front and rear performance sway bars and front and rear Black Magic™ performance tuned shocks.

Arms are available in gloss black or silver powder coat. Put a C.P.P. under your ride today!

PART #	DESCRIPTION	RETAIL	JOBBER	DEALER
6267CPP-K	1962-67 Nova, kit	\$1,959.00	\$1,860.00	\$1,469.00
6774CPP-K *	1967-69 Camaro & 1968-74 Nova, kit	\$2,229.00	\$2,100.00	\$1,669.00
7081CPP-K *	1970-81 Camaro & 1975-79 Nova, kit	\$2,289.00	\$2,175.00	\$1,715.00

\* Requires 17" or larger wheel.

# SUSPENSION | PRO-TOURING KITS

## PRO-TOURING KITS

CPP's new Pro-Touring Kits provide the ultimate performance for an affordable price. Our kits are made in the USA with the quality you have come to expect from Classic Performance Products. Included with each kit is a front and rear sway bar, combined with the lowered stance and performance enhancements of either the lowered coil springs and gas shock combo in the Stage I kits or the adjustable coil over package in the Stage II kits would be great on their own. When adding CPP's award-winning MCPV-1 master cylinder; along with our front and rear 11" or 13" brake kit, you have a "tried and true" Pro-Touring package in the Stage III and Stage IV kits. Add a 500 Series™ steering box to get even more steering performance out of your classic muscle.



#6267PTK-1

### STAGE I

Includes front lowered coil springs, front and rear shocks, front and rear sway bar kits. The 1962-67 Nova kit also comes with a front MINI™ Sub Frame kit, front upper control arms and rear Caltracts traction bar kit. 1968-74 Nova and 1967-81 Camaro kits also include front upper & lower control arms and rear lowered leaf springs.

PART #	DESCRIPTION	RETAIL	JOBBER	DEALER
6267PTK-1	1962-67 Nova, kit	\$1,499.00	\$1,350.00	\$1,203.00
6774PTK-1	1967-69 Camaro, 1968-74 Nova, kit	\$1,599.00	\$1,450.00	\$1,280.00
7081PTK-1	1970-81 Camaro, 1970-73 Firebird, 1975-79 Nova, kit	\$1,699.00	\$1,529.00	\$1,329.00

## 500Series™



Add a 500 Series™ Box for the Ultimate Performance!



#6267PTK-2

### STAGE II

Includes front coil over kits, rear QA1 shocks and front and rear sway bar kits. The 1962-67 Nova kit also comes with a front MINI™ Sub Frame kit, front upper control arms and rear Caltracts traction bar kit. 1968-74 Nova and 1967-81 Camaro kits also include front upper & lower control arms and rear lowered leaf springs.

PART #	DESCRIPTION	RETAIL	JOBBER	DEALER
6267PTK-2	1962-67 Nova, kit	\$2,099.00	\$1,999.00	\$1,839.00
6774PTK-2	1967-69 Camaro, 1968-74 Nova, kit	\$1,999.00	\$1,899.00	\$1,797.00
7081PTK-2	1970-81 Camaro, 1970-73 Firebird, 1975-79 Nova, kit	\$2,199.00	\$2,137.00	\$1,890.00



#6874PTK-3

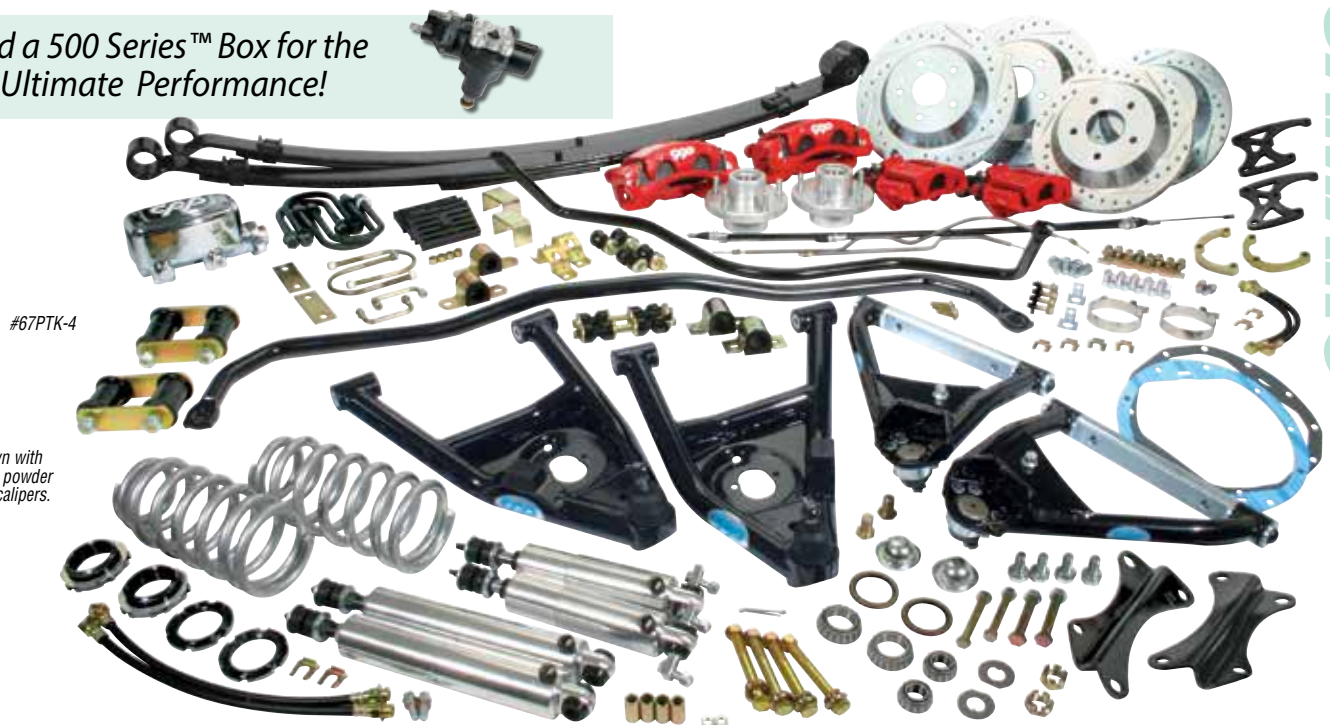
\*Shown with optional upgraded rotors.

**STAGE III**

Includes all Stage II pieces plus front and rear 11" stock height brakes and MCPV1 master cylinder. *Note: Drop spindle upgrade available.*

PART #	DESCRIPTION	RETAIL	JOBBER	DEALER
6265PTK-3	1962-65 Nova, kit	\$3,099.00	\$2,949.00	\$2,799.00
6667PTK-3	1966-67 Nova, kit	\$3,099.00	\$2,949.00	\$2,799.00
67PTK-3	1967 Camaro, kit	\$2,999.00	\$2,849.00	\$2,699.00
6874PTK-3	1968-69 Camaro, 1968-74 Nova, kit	\$2,999.00	\$2,849.00	\$2,699.00
7078PTK-3	1970-78 Camaro, 1970-73 Firebird, 1975-79 Nova, kit	\$3,299.00	\$2,999.00	\$2,499.00

Add a 500 Series™ Box for the Ultimate Performance!



#67PTK-4

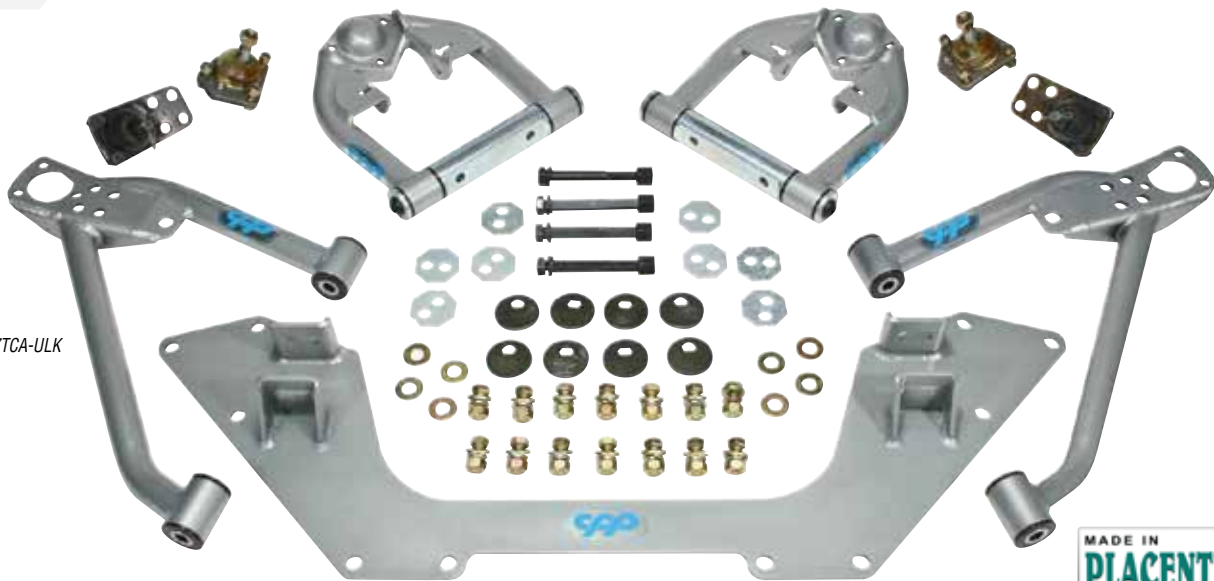
\*Shown with optional powder coated calipers.

**STAGE IV**

Includes all Stage 2 pieces plus 13" front and 12" rear Big Brakes and our MCPV1 master cylinder. *Note: Requires disc brake spindles.*

PART #	DESCRIPTION	RETAIL	JOBBER	DEALER
6265PTK-4	1962-65 Nova, kit	\$3,699.00	\$3,519.00	\$3,199.00
6667PTK-4	1966-67 Nova, kit	\$3,699.00	\$3,519.00	\$3,199.00
67PTK-4	1967 Camaro, kit	\$3,599.00	\$3,419.00	\$3,099.00
6874PTK-4	1968-69 Camaro, 1968-74 Nova, kit	\$3,599.00	\$3,419.00	\$3,099.00

NOVA / CAMARO



#6267TCA-ULK



## Totally TUBULAR™

### MINI™ SUB-FRAME KIT

At the heart of the innovative kit is the 1/4" steel

crossmember that bolts to the chassis in place of the factory strut rod mounts, eliminating the factory strut rods, and adding adjustable forward control arm mounts. This kit adds stability, alignability, improved steering response and over 2" of ground clearance for your early Nova. By eliminating the binding action caused by the factory strut rods you are able to maintain proper wheel alignment. The Mini Sub-Frame accommodates both factory and aftermarket sway bars. The upper control arms will accommodate stock coil springs, Shockwave™ and also coil over conversions. Available in gloss black or silver powder coat. *Note: Lowered coils not recommended with drop spindles.*



#6267DTCA-KS

PART #	DESCRIPTION	RETAIL	JOBBER	DEALER
6267TCA-UKB	1962-67 Nova, Upper only, black, kit	\$309.00	\$272.00	\$230.00
6267TCA-UKS	1962-67 Nova, Upper only, silver, kit	\$309.00	\$272.00	\$230.00
6267TCA-KB	1962-67 Nova, Lower, Mini™ Subframe, black, kit	\$399.00	\$351.00	\$299.00
6267TCA-KS	1962-67 Nova, Lower, Mini™ Subframe, silver, kit	\$399.00	\$351.00	\$299.00
6267TCA-ULK-B	1962-67 Nova, Upper/Lower, black, kit	\$699.00	\$615.00	\$485.00
6267TCA-ULK-S	1962-67 Nova, Upper/Lower, silver, kit	\$699.00	\$615.00	\$485.00
6267DTCA-KB	1962-67 Nova, Upper/Lower, deluxe, black, kit	\$929.00	\$839.00	\$696.00
6267DTCA-KS	1962-67 Nova, Upper/Lower, deluxe, silver, kit	\$929.00	\$839.00	\$696.00



### STEERING STOPS

When you want to add steering stops to your CPP Tubular Arms. *Note: These are adjustable.*

PART #	DESCRIPTION	RETAIL	JOBBER	DEALER
CP12028	1962-67 Nova, pair	\$19.00	\$17.00	\$14.00

### ALIGNMENT LOCK OUT KIT

CPP's lock out plates eliminate the alignment cams and provide 13 different positions for the control arm. They will never slip and cause a lost alignment.



PART #	DESCRIPTION	RETAIL	JOBBER	DEALER
CP10134	1962-67 Nova, kit	\$35.00	\$31.00	\$25.00

### CAM BOLT KIT

Replace your old rusty alignment cams with new replacement cam bolt kits. Two are required with original control arms and four are required with CPP Mini Sub-Frame.



PART #	DESCRIPTION	RETAIL	JOBBER	DEALER
264-3594	1962-67 Nova, each	\$9.00	\$8.00	\$6.00





**TUBULAR CONTROL ARMS**

CPP's quality upper and lower Totally Tubular™ control arms are welded for maximum strength and visual impact. The lower control arms have a helical stamped coil spring mount, just like they did from the factory, which secures the coil spring into the lower control arm. The coil mount has been improved to make installation even easier. The lower shock mount is incorporated into the stamped coil plate and will also accept QA-1 coil over and Ridetech Shockwave™ units as well. This stamping is welded around its entire perimeter. All arms that contain cross shafts are preassembled with the cross shafts and pivot sleeves and have a safety feature that captures both sides of the bushing, unlike the originals that were only retained on the one side of the bushing under the head of the bolt. This unique feature allows full control and virtually no flex on the control arm when cornering. Arms are available in gloss black or silver powder coat. Economy import arms also available for some applications. Ball joints included with all arms. *Note: #6774ETA-K will lower vehicle 1-1/2".*



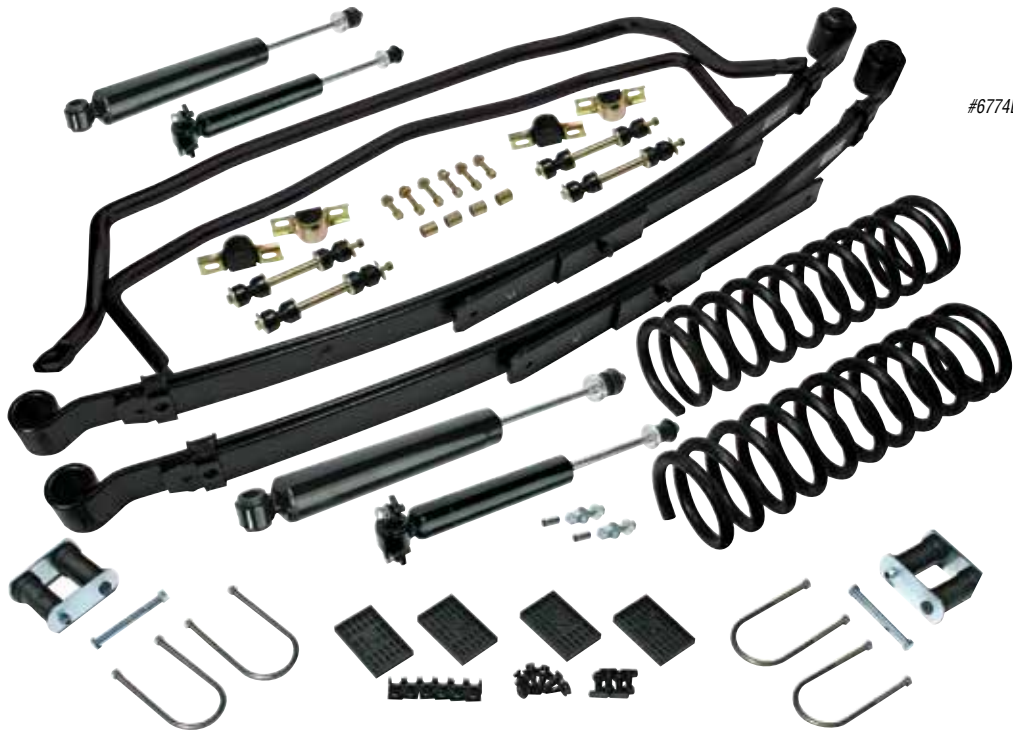
PART #	DESCRIPTION	RETAIL	JOBBER	DEALER
6774TCA-UKB	1968-74 Nova & 1967-69 Camaro, Upper, black, pair	\$337.00	\$297.00	\$244.00
6774TCA-UKS	1968-74 Nova & 1967-69 Camaro, Upper, silver, pair	\$337.00	\$297.00	\$244.00
6774TCA-LKB	1968-74 Nova & 1967-69 Camaro, Lower, black, pair	\$445.00	\$392.00	\$327.00
6774TCA-LKS	1968-74 Nova & 1967-69 Camaro, Lower, silver, pair	\$445.00	\$392.00	\$327.00
6774TCA-ULK-B	1968-74 Nova & 1967-69 Camaro, Upper/Lower, black, set	\$733.00	\$645.00	\$533.00
6774TCA-ULK-S	1968-74 Nova & 1967-69 Camaro, Upper/Lower, silver, set	\$733.00	\$645.00	\$533.00
6774ETA-K	1968-74 Nova & 1967-69 Camaro, Economy Import, Upper/Lower, black, set	\$399.00	\$351.00	\$299.00
7081TCA-UKB	1970-78 Camaro, Upper, black, pair	\$337.00	\$297.00	\$244.00
7081TCA-UKS	1970-78 Camaro, Upper, silver, pair	\$337.00	\$297.00	\$244.00
7081TCA-LKB	1970-78 Camaro, Lower, black, pair	\$445.00	\$392.00	\$327.00
7081TCA-LKS	1970-78 Camaro, Lower, silver, pair	\$445.00	\$392.00	\$327.00
7081TCA-ULK-B	1970-78 Camaro, Upper/Lower, black, set	\$733.00	\$645.00	\$533.00
7081TCA-ULK-S	1970-78 Camaro, Upper/Lower, silver, set	\$733.00	\$645.00	\$533.00

NOVA / CAMARO

*Need to help a customer?*

**Grab our Brake & Power Steering Installation & Tech Guide...**

Call for a copy today or access it on our website 24 hours a day @ [www.ClassicPerform.com](http://www.ClassicPerform.com)



#6774LHP-K

## PERFORMANCE HANDLING KIT

The 1-1/8" front and 1" rear sway bars play an important role in providing your car with the great handling you're after. They reduce body roll and help to reduce over and under steer. Combined with a lowered stance and the enhancements of the lowered front and rear coil springs and gas shock combo, the performance handling kit is the upgrade that is designed for the budget minded. Kit includes front and rear sway bars, front and rear gas shocks and front lowered springs and rear lowered leaf kit.

PART #	DESCRIPTION	RETAIL	JOBBER	DEALER
6774LHP-K	1967-69 Camaro & 1968-74 Nova, kit	\$829.00	\$749.00	\$629.00
7078LHP-K	1970-78 Camaro, kit	\$889.00	\$799.00	\$669.00



\*Kit components may vary

## PERFORMANCE PLUS FRONT END KITS

CPP's Performance Plus kits complement CPP's POLYPLUS™ performance line and not only replaces your worn out suspension components, but also increases your performance and handling. Kit contains heat treated, CNC wound and factory tested front coil springs, front Black Magic™ shocks, POLYPLUS™ performance graphite upper and lower control arm bushings, and bumpstops — engineered to give superior performance while withstanding the environmental elements that destroy rubber, POLYPLUS™ strut rod bushings (when applicable), upper and lower ball joints, inner and outer tie rod ends, tie rod adjusting sleeves, and idler arm or idler arm bushing. Sway bar bushings and end links are sold separately. *Note: the POLYPLUS™ graphite formula prevents the squeaking that occurs with a traditional polyurethane bushing. Contents of kit may vary according to vehicle.*

PART #	DESCRIPTION	RETAIL	JOBBER	DEALER
6367SDFK-P	1963-67 Nova, kit	\$639.00	\$575.00	\$456.00
6874SDFK-P	1968-74 Nova, kit	\$549.00	\$495.00	\$393.00
67SDFK-PC	1967 Camaro, kit	\$469.00	\$422.00	\$337.00
6869SDFK-P	1968-69 Camaro, kit	\$469.00	\$422.00	\$337.00



**COMPLETE POLYPLUS™ FRONT END KITS**

CPP's POLYPLUS™ front end kits make it possible to achieve better than new performance for a modest price. All kits includes: upper and lower ball joints, inner and outer tie rod ends, tie rod adjusting sleeves, idler arm or idler arm bushing, upper and lower rubber control arm bushings, and bump stops. Sway bar bushings and end links sold separately.



PART #	DESCRIPTION	RETAIL	JOBBER	DEALER
62SFK-P	1962 Nova, kit	\$559.00	\$519.00	\$419.00
6367SFK-PP	1963-67 Nova - power, kit	\$469.00	\$423.00	\$328.00
6367SFK-PM	1963-67 Nova - manual, kit	\$469.00	\$423.00	\$328.00
6874SFK-P	1968-74 Nova, kit	\$299.00	\$269.00	\$209.00
67SFK-PC	1967 Camaro, kit	\$379.00	\$341.00	\$265.00
6869SFK-P	1968-69 Camaro, kit	\$299.00	\$269.00	\$209.00
7072SFK-P	1970-72 Camaro, kit	\$419.00	\$379.00	\$329.00
7374SFK-P	1973-74 Camaro, kit	\$469.00	\$422.00	\$350.00
7579SFK-P	1975-79 Camaro, kit	\$329.00	\$296.00	\$250.00

**COMPLETE RUBBER FRONT END KITS**

Don't overlook your front end when rebuilding your classic Chevy, replace your old worn out bushings, ball joints and tie rod ends. CPP's rubber front end kits make it possible to achieve better than new performance for a modest price. All kits includes: upper and lower ball joints, inner and outer tie rod ends, tie rod adjusting sleeves, idler arm or idler arm bushing, upper and lower rubber control arm bushings, and bump stops. Sway bar bushings and end links sold separately.

PART #	DESCRIPTION	RETAIL	JOBBER	DEALER
62SFK-R	1962 Nova, kit	\$559.00	\$519.00	\$419.00
6367SFK-RP	1963-67 Nova - power, kit	\$469.00	\$428.00	\$328.00
6367SFK-RM	1963-67 Nova - manual, kit	\$469.00	\$428.00	\$328.00
6874SFK-R	1968-74 Nova, kit	\$279.00	\$251.00	\$195.00
67SFK-RC	1967 Camaro, kit	\$359.00	\$323.00	\$251.00
6869SFK-R	1968-69 Camaro, kit	\$279.00	\$251.00	\$195.00
7072SFK-R	1970-72 Camaro, kit	\$419.00	\$379.00	\$329.00
7374SFK-R	1973-74 Camaro, kit	\$449.00	\$405.00	\$336.00
7579SFK-R	1975-78 Camaro, kit	\$309.00	\$278.00	\$216.00



**POLYPLUS™ FRONT END KITS**

POLYPLUS™ bushings, used in our front end kits, are the ultimate combination of polyurethane and graphite. The first for performance and durability; the second for superior lubricating qualities which provides smooth operation. Kits include upper and lower ball joints, outer tie rod ends, control arm bushing kit and lower bump stops.



PART #	DESCRIPTION	RETAIL	JOBBER	DEALER
62FK-P	1962 Nova, kit	\$399.00	\$359.00	\$299.00
6367FK-P	1963-67 Nova, kit	\$349.00	\$315.00	\$244.00
6874FK-P	1968-74 Nova, kit	\$209.00	\$189.00	\$146.00
67FK-P	1967 Camaro, kit	\$219.00	\$207.00	\$160.00
6869FK-P	1968-69 Camaro, kit	\$229.00	\$209.00	\$160.00
7078FK-P	1970-78 Camaro, kit	\$209.00	\$189.00	\$146.00

**RUBBER FRONT END KITS**

Never overlook your front end when rebuilding your classic Chevy vehicle. Replace your old worn out bushings, ball joints and tie rod ends. CPP's rubber front end kits make it possible to achieve better than new performance for a modest price. All kits include: upper and lower ball joints, outer tie rod ends, control arm bushings, and bump stops.

PART #	DESCRIPTION	RETAIL	JOBBER	DEALER
62FK-R	1962 Nova, kit	\$399.00	\$359.00	\$299.00
6367FK-R	1963-67 Nova, kit	\$349.00	\$315.00	\$244.00
6874FK-R	1968-74 Nova, kit	\$189.00	\$170.00	\$132.00
67FK-R	1967 Camaro, kit	\$209.00	\$189.00	\$146.00
6869FK-R	1968-69 Camaro, kit	\$189.00	\$170.00	\$132.00
7072FK-R	1970-72 Camaro, kit	\$209.00	\$189.00	\$146.00

NOVA / CAMARO

Parts shown for illustration only. Actual components of kits will vary.



## POWER STEERING LINKAGE KITS

A must when upgrading to a power steering box for maximum performance and handling. No modification required. Includes complete new centerlink, pitman arm, and idler arm, inner and outer tie rod ends and aluminum tie rod adjustment sleeves. This kit is the perfect compliment to our Totally Tubular™ control arm kits when needing those final pieces. *Note: Basic kits do not include the tie rod ends or adjuster sleeves.*

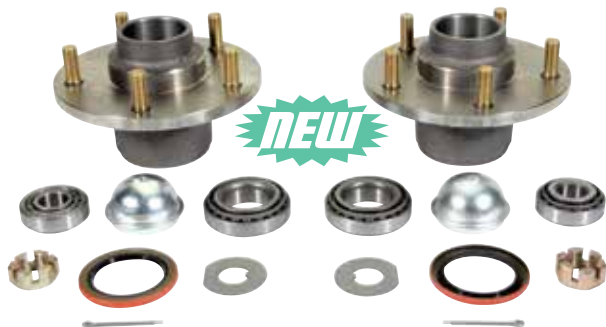
PART #	DESCRIPTION	RETAIL	JOBBER	DEALER
<b>COMPLETE KIT:</b>				
6869SLK-CP	1967-69 Camaro, 1968-74 Nova, kit	\$269.00	\$242.00	\$215.00
6367SLK-CP	1963-67 Nova, kit	\$349.00	\$315.00	\$259.00
6367SLK-CP-U	1963-67 Nova, with upgraded deluxe idler arm, kit	\$399.00	\$360.00	\$299.00
<b>BASIC KIT:</b>				
6869SLK	1967-69 Camaro, kit	\$169.00	\$152.00	\$135.00



## ROLLER BEARING HUB UPGRADE KIT

CPP's new replacement forged aluminum hubs with new studs and installed bearing races are stronger and safer than any hub on the market to date. Our kit is also 2 lbs. lighter for added performance and fuel efficiency. A perfect fit for today's modern wheels and tires and any type of brake upgrade. Kit comes complete with two new forged aluminum hubs, inner and outer bearings & races, wheel studs, wheel hub seals, hub washers, grease caps and cotter pins.

PART #	DESCRIPTION	RETAIL	JOBBER	DEALER
6474RBH-K	1968-74 Nova & 1967-69 Camaro, kit	\$189.00	\$166.00	\$139.00



## OE DRUM HUB KIT

Replace your worn out drum hubs with this kit that contains all new components.

PART #	DESCRIPTION	RETAIL	JOBBER	DEALER
6474HK-OE	1967-69 Camaro & 1968-74 Nova, kit	\$69.00	\$50.00	\$40.00



**WORKS WITH CPP TUBULAR ARMS!**



## ADJUSTABLE COIL OVER CONVERSION SYSTEM

These conical springs are designed so that the lower end sets on the coil-over shock and the upper end sets in the original spring bucket in the frame. This allows for the use of a longer and lighter spring for more stored energy, offering increased weight transfer. Greater durability is also achieved by locating the spring pressure in the frame and not on a single stud. The threaded aluminum body allows ride height adjustment and boasts an easy bolt-in installation. The system includes aluminum body coil-over shocks, specially designed conical springs and all mounting hardware.

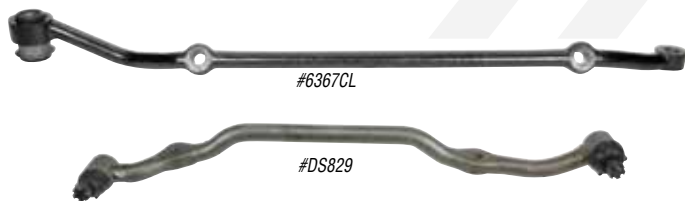
PART #	DESCRIPTION	RETAIL	JOBBER	DEALER
6267COK-SA	1962-67 Nova, Single Adjustable, 325# spring rate, kit	\$569.00	\$512.00	\$455.00
6267COK-DA	1962-67 Nova, Double Adjustable, 325# spring rate, kit	\$739.00	\$715.00	\$599.00
7888-110	Spanner Wrench & Thrust Bearing Kit (nec. when installing coil over system)	\$49.00	\$44.00	\$39.00

## IDLER ARM BUSHINGS

When replacing front end bushings remember the center link and idler arm bushings. New bushings will tighten up your steering and make your car safer to drive.



PART #	DESCRIPTION	RETAIL	JOBBER	DEALER
FB249	1963-67 Nova, Center Link 1.25" length, ea	\$9.00	\$8.00	\$7.00
IB5386	1963-67 Nova, Idler Arm support 1.88" length, ea	\$9.00	\$8.00	\$7.00



**UPPER & LOWER CONTROL ARM CROSS SHAFT KITS**

Cross shafts are an essential components of your front suspension. Without them you aren't going anywhere. OEM replacement for this high wear item.

PART #	DESCRIPTION	RETAIL	JOBBER	DEALER
6267UCS-RK	1962-67 Nova, rubber bushing, pair	\$99.00	\$89.00	\$75.00
6267UCS-PK	1962-67 Nova, poly bushing, pair	\$159.00	\$143.00	\$126.00
FA1019	1967-69 Camaro, 1968-70 Nova, each	\$49.00	\$44.00	\$38.00
FA9009	1970-73 Camaro, each	\$49.00	\$44.00	\$34.00

**CENTERLINKS**

CPP has stock replacement steering draglinks for your classic. A worn steering link will cause the steering system to wander and increase tire wear.

PART #	DESCRIPTION	RETAIL	JOBBER	DEALER
DS829	1972-78 Camaro, each	\$69.00	\$61.00	\$51.00
6367CL	1963-67 Nova, each	\$89.00	\$78.00	\$63.00



**UPPER & LOWER BALL JOINTS**

Replacing the ball joints on your front end helps to reduce steering "slop" and makes your car much safer to drive. Meet OE specification. Direct replacement that requires no modifications. Boots and hardware included.

PART #	DESCRIPTION	RETAIL	JOBBER	DEALER
CPP406	1962-67 Nova, upper, each	\$45.00	\$40.00	\$25.00
FA487	1968-74 Nova, 1967-69 Camaro, ea	\$19.00	\$17.00	\$10.00
CPP407	1962-67 Nova, lower, each	\$45.00	\$40.00	\$25.00
FA993	1968-74 Nova, 1967-69 Camaro, ea	\$23.00	\$20.00	\$14.00
FA688	1970-79 Camaro, upper, each	\$19.00	\$17.00	\$14.00
FA921	1970-79 Camaro, lower, each	\$23.00	\$20.00	\$14.00



**TIE ROD ENDS**

Replacing the tie rod ends on your front end greatly reduces steering "slop" and makes your car much safer to drive. Includes all hardware and dustboots.

PART #	DESCRIPTION	RETAIL	JOBBER	DEALER
ES323L	1962-67 Nova, inner, each	\$22.00	\$21.00	\$18.00
ES681N	1968-74 Nova & 1967-69 Camaro, inner, ea	\$16.00	\$14.00	\$12.00
ES443L	1975-79 Camaro, RH inner, each	\$20.00	\$18.00	\$15.00
ES442L	1975-79 Camaro, LH inner, each	\$20.00	\$18.00	\$15.00
ES661	1962 Nova, outer - 1st design straight, ea	\$79.00	\$72.00	\$69.00
ES675	1962 Nova, outer - 2nd design & 1963-67, ea	\$49.00	\$43.00	\$25.00
ES381R	1968-74 Nova & 1967-69 Camaro, outer, ea	\$21.00	\$19.00	\$16.00
ES404R	1970-74 Camaro, outer, each	\$40.00	\$38.00	\$36.00
ES441R	1975-81 Camaro, outer, each	\$19.00	\$17.00	\$14.00



**IDLER ARMS**

The idler arm is a very important part of any steering system. A worn idler arm can cause tire wear and play in the steering system.

PART #	DESCRIPTION	RETAIL	JOBBER	DEALER
K6058	1963-67 Nova, p/s, (will work for m/s) ea	\$79.00	\$70.00	\$35.00
FA609	1968-74 Nova & 1968-69 Camaro (manual steering), 1967-69 Camaro (power steering) ea	\$49.00	\$43.00	\$35.00
FA695	1970-79 Camaro, each	\$69.00	\$61.00	\$51.00



**TIE ROD ADJUSTING SLEEVES**

Stock replacement parts that meet OE specs. New adjusting sleeves will take the hassle out of doing a front end alignment. Sold individually, two required per vehicle.

PART #	DESCRIPTION	RETAIL	JOBBER	DEALER
ES312S	1962 Nova, stock - 1st design straight, ea	\$15.00	\$13.00	\$11.00
ES2032S	1962 Nova, stock - 2nd design & 1963-67 Nova, stock, each	\$9.00	\$8.00	\$7.00
ES350S	1968-74 Nova, stock, each	\$12.00	\$11.00	\$8.00
ES2004S	1970-78 Camaro, stock, each	\$15.00	\$13.00	\$11.00

**DELUXE IDLER ARM**

Our new CPP Deluxe Upgrade Idler Arm is the perfect compliment to our CPP Mini™ Subframe and 400 Series™ steering box or Borgeson power steering box. Also recommended when running large wheels. Our exclusive design will eliminate the steering play associated with the original design. Includes premium Daraleen bushings (same ones found in CPP control arms), frame mount bracket and sleeves for centerlink.



PART #	DESCRIPTION	RETAIL	JOBBER	DEALER
6367IA-UK	1963-67 Nova, pair	\$129.00	\$116.00	\$96.00



**BILLET ALUMINUM TIE ROD SLEEVES**

Our exclusive design is perfect for those who are looking for a custom look and appreciate the small details. Made from 6061 T6 aluminum. Sold in sets with three different finishes available, -AR (brushed) -AB (black) -AP (polished) includes jam nuts. Add R, B or P to end of part number for desired finish.

PART #	DESCRIPTION	RETAIL	JOBBER	DEALER
ES2032SP-A	1963-67 Nova, pair	\$69.00	\$61.00	\$49.00
ES350SP-A	1968-74 Nova & 1967-69 Camaro, pr	\$69.00	\$61.00	\$49.00
ES2004SP-A	1970-78 Camaro, pair	\$69.00	\$61.00	\$49.00



*Black Magic™*

## CPP NITROGEN GAS SHOCKS

Our nitrogen gas shocks are designed to enhance your car or trucks performance and provide quick response to road conditions. The 180 psi nitrogen gas cylinder was specifically built with lowered vehicles in mind to give a boost in cornering performance. The outstanding quality is backed with a lifetime warranty.

PART #	DESCRIPTION	RETAIL	JOBBER	DEALER
CPP-1004	1962-67 Nova, front stock, each	\$39.00	\$33.00	\$29.00
CPP-1000	1968-74 Nova, 1967-81 Camaro, front, each	\$39.00	\$33.00	\$29.00
CPP-1105*	1962-67 Nova, 1967-69 Camaro, rear stock, each	\$39.00	\$33.00	\$29.00
CPP-1107*	1968-74 Nova, 1967-69 Camaro, rear stock, each	\$39.00	\$33.00	\$29.00

\* 1967-69 Camaro with factory upper shock plate or #CPP-1105STK (see left) use #CPP-1105, otherwise use #CPP-1107.



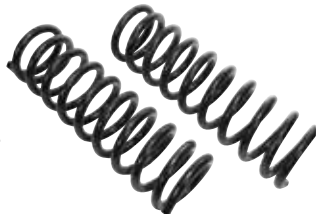
## REAR UPPER SHOCK MOUNT

One of CPP's newest parts is a must when mounting original style or stock replacement shocks to your Camaro. The rear shock upper mount plate is located in the forward trunk area of the Camaro and mounts the upper shock rod to the shock tower. Two required per car.

PART #	DESCRIPTION	RETAIL	JOBBER	DEALER
CPP-1105STK	1967-69 Camaro, each	\$9.00	\$8.00	\$6.00

## FRONT COIL SPRINGS

Coil springs are also available in pairs of front or rear only. Our front coils are designed to work either a 6 cylinder, small block V8 or big block V8. Rear coils are also available in standard rates and heavy duty spring rates.



PART #	DESCRIPTION	RETAIL	JOBBER	DEALER
FCS6080-S	1962-67 Nova, stock height, pair	\$105.00	\$92.00	\$78.00
FCS6080-D	1962-67 Nova, 2" lowered, pair	\$95.00	\$84.00	\$69.00
FCS6246-D	1962-67 Nova, 2" lowered - HD, pair	\$105.00	\$92.00	\$78.00
FCS6246-S	1962-67 Nova, stock height - HD, pair	\$105.00	\$92.00	\$78.00
FCS638-S	1968-74 Nova, stock height, pair	\$95.00	\$84.00	\$69.00
FCS638-D	1968-74 Nova, 2" lowered, pair	\$95.00	\$84.00	\$69.00
FCS6310-S	1967-69 Camaro, stock height - SB, pr	\$105.00	\$92.00	\$78.00
FCS6310-D	1967-69 Camaro, 1-1/2" drop - SB, pr	\$95.00	\$84.00	\$69.00
FCS5276-S	1970-78 Camaro, stock height - SB, pr	\$105.00	\$92.00	\$78.00
FCS5276-D	1970-78 Camaro, 1-1/2" drop - SB, pr	\$105.00	\$92.00	\$78.00
FCS656-S	1967-69 Camaro, stock height - BB, pr	\$105.00	\$84.00	\$69.00
FCS656-D	1967-69 Camaro, 1-1/2" drop - BB, pr	\$95.00	\$84.00	\$69.00
FCS590-S	1970-78 Camaro, stock height - BB, pr	\$105.00	\$92.00	\$78.00
FCS590-D	1970-78 Camaro, 1-1/2" drop - BB, pr	\$105.00	\$92.00	\$78.00



#CPP599



#CPP671U



#7081PTSBK



#7081PTSBK-U

**NEW DESIGNS!**

## STOCK SUSPENSION SWAY BARS

Sway bars are the key to having a great handling vehicle. They reduce body roll and help control over steer and under steer in corners. Kits come complete with sway bar, poly bushings, mounting brackets and all necessary hardware. Black powder coated finish.

PART #	DESCRIPTION	RETAIL	JOBBER	DEALER
<b>FRONT:</b>				
CP108U	1962-67 Nova, 1", kit	\$149.00	\$139.00	\$111.00
CP108FBM	1962-67 Nova, 1", w/billet mount upgrade, kit	\$199.00	\$179.00	\$149.00
CPP599	1968-74 Nova & 1967-69 Camaro, 1-1/8", kit	\$149.00	\$119.00	\$95.00
CPP599FBM	1968-74 Nova & 1967-69 Camaro, 1-1/8", w/billet mount upgrade, kit	\$179.00	\$160.00	\$135.00
CP709U	1970-78 Camaro & 1975-79 Nova, 1-1/4", kit	\$129.00	\$119.00	\$97.00
CP709FBM	1970-78 Camaro & 1975-79 Nova, 1-1/4", w/billet mount upgrade, kit	\$179.00	\$160.00	\$135.00
<b>REAR:</b>				
CP916U	1962-67 Camaro, 3/4" diameter, kit	\$139.00	\$129.00	\$105.00
CP671U	1967-69 Camaro & 1968-74 Nova, 7/8", kit	\$139.00	\$129.00	\$105.00
CP681U	1970-78 Camaro, 1", kit	\$149.00	\$139.00	\$111.00
6774PTSBK	1967-69 Camaro & 1968-74 Nova, Pro-Touring, kit	\$189.00	\$170.00	\$139.00
6774PTSBK-U	1967-69 Camaro & 1968-74 Nova, Pro-Touring, billet upgrade, kit	\$279.00	\$250.00	\$209.00
7081PTSBK	Pro-Touring, kit	\$189.00	\$170.00	\$139.00
7081PTSBK-U	Pro-Touring, billet upgrade, kit	\$279.00	\$260.00	\$229.00



## SPRING RETAINER PLATE

Replace your worn, broken or missing upper coil spring retainer in your early Nova with the factory front end.

PART #	DESCRIPTION	RETAIL	JOBBER	DEALER
6267CRP	1962-67 Nova, pair	\$16.00	\$14.00	\$11.00

NOVA / CAMARO



#6769CAB-R

#6267CAB-P



**CONTROL ARMS BUSHINGS**

Whether you're doing an original rebuild or you want to tighten up your suspension we have the bushings for you. Our rubber control arm bushings are exact reproductions of the originals perfect for the person wanting to replace his worn out bushing with original rubber bushings. Our POLYPLUS™ bushings offer better handling and are impervious to the elements. Kits come with upper and lower control arm bushings. Early Nova kits also include strut rod bushings.

PART #	DESCRIPTION	RETAIL	JOBBER	DEALER
6267CAB-P	1963-67 Nova, POLYPLUS, kit (shown)	\$79.00	\$70.00	\$62.00
6267CAB-R	1962-67 Nova, rubber, kit	\$79.00	\$70.00	\$62.00
3-3101G	1968-74 Nova & 67-69 Camaro, w/ 1.65" O.D. rear round lower bushing, POLYPLUS, kit	\$69.00	\$66.00	\$55.00
CP9595	1968-74 Nova, rubber, kit	\$39.00	\$34.00	\$29.00
3-3102G	1970-72 Camaro, POLYPLUS, kit	\$69.00	\$66.00	\$55.00
3-3103G	1973-74 Camaro, POLYPLUS w/ 1-5/8" front lower bushing, kit	\$69.00	\$66.00	\$55.00
3-3104G	1973-74 Camaro, POLYPLUS w/ 1-3/8" front lower bushing, kit	\$69.00	\$66.00	\$55.00
3-3105G	1975-79 Camaro, POLYPLUS, kit	\$69.00	\$66.00	\$55.00
6769CAB-R	1967-69 Camaro, rubber, kit (shown)	\$39.00	\$34.00	\$29.00
7072CAB-R	1970-72 Camaro, rubber, kit	\$39.00	\$34.00	\$29.00
7374CAB-R5	1973-74 Camaro, rubber w/ 1-5/8" front lower bushing, kit	\$39.00	\$34.00	\$29.00
7374CAB-R3	1973-74 Camaro, rubber w/ 1-3/8" front lower bushing, kit	\$39.00	\$34.00	\$29.00
7579CAB-R	1975-79 Camaro, rubber, kit	\$39.00	\$34.00	\$29.00



#SK1188-K

#3-2101G



#3-2122G

#SK9002-K

**LEAF SPRING BUSHING KITS**

CPP offers leaf spring bushing kits in both rubber and also in high performance POLYPLUS™, graphite impregnated polyurethane. Kits are available for fixed end, shackle and complete sets. Fixed end kits may have a solid bushing or 2 part bushing depending on the application.

PART #	DESCRIPTION	RETAIL	JOBBER	DEALER
K979-K	1962-67 Nova, shackle bushing, rubber, kit	\$69.00	\$66.00	\$51.00
SK9002-K	1968-79 Nova, fixed end, rubber, kit	\$69.00	\$62.00	\$39.00
3-2122G	1962-67 Nova, complete POLYPLUS™, mono-leaf, kit	\$69.00	\$66.00	\$51.00
3-2101G	1968-74 Nova, complete POLYPLUS™, mono-leaf, kit	\$69.00	\$66.00	\$51.00
3-2103G	1968-79 Nova, complete POLYPLUS™, multi-leaf, kit	\$69.00	\$66.00	\$51.00
SK1188-K	1970-74 Nova, fixed end, rubber, kit	\$24.00	\$22.00	\$18.00

**SPRING PERCH**

Replace those squeeking spring perches with a set of our OEM rubber spring perches.

PART #	DESCRIPTION	RETAIL	JOBBER	DEALER
6267PCH-R	1962-67 Nova, rubber, each	\$39.00	\$34.00	\$24.00



#402410

#3773361

#9-9151G

#9-9154G

**BUMP STOPS**

Use our bump stops to keep your suspension from bottoming out.

PART #	DESCRIPTION	RETAIL	JOBBER	DEALER
402410	1968-69 Nova/Camaro, rubber, lower, each	\$9.00	\$8.00	\$7.00
G7080	1970-81 Nova/Camaro, rubber, lower, each	\$9.00	\$8.00	\$7.00
3773361	1967-69 Nova/Camaro, rubber, upper, each	\$9.00	\$8.00	\$7.00
G7078	1970-81 Nova/Camaro, rubber, upper, each	\$9.00	\$8.00	\$7.00
9-9154G	1968-69 Nova/Camaro, POLYPLUS, lower, pr	\$15.00	\$14.00	\$10.00
9-9150G	1970-81 Nova/Camaro, POLYPLUS, lower, pr	\$15.00	\$14.00	\$10.00
9-9151G	1968-69 Nova/Camaro, POLYPLUS, upper, pr	\$15.00	\$14.00	\$10.00
3-9102G	1970-81 Nova/Camaro, POLYPLUS, upper, pr	\$15.00	\$14.00	\$10.00

**REAR SHACKLE KITS**

Our shackles are designed to be a direct replacement for the factory units.



#3-2136G

PART #	DESCRIPTION	RETAIL	JOBBER	DEALER
3-2136G	1967-69 Camaro for mono leaf springs, kt	\$89.00	\$85.00	\$79.00
3-2134G	1967-81 Camaro for multi leaf springs, kt	\$89.00	\$85.00	\$79.00



#6769RLS-D

**MULTI LEAF SPRINGS**

Now available are new stock height and drop leaf springs for your car. These are not reconditioned originals, but new leaf springs made to the original factory specs. Sold in pairs. Only lowered leaf kits include bushings or U-bolts. Note: Stock height springs will not work with vehicles that were equipped with monos.

PART #	DESCRIPTION	RETAIL	JOBBER	DEALER
6769RLS-D	1968-74 Nova, 1967-69 Camaro, kit	\$399.00	\$360.00	\$299.00
7081RLS-D	1970-81 Camaro, kit	\$449.00	\$405.00	\$335.00

**HEAVY DUTY REAR AXLE KITS**

Our cold rolled spline manufacturing process produces an axle spline up to 35% stronger than cut splines. Axles also include dual bolt patterns to allow for upgrading to larger studs. Kits include: axles, studs, bearings, seals, and differential gasket.



PART #	DESCRIPTION	RETAIL	JOBBER	DEALER
CP10-1	1967-69 Camaro, 10 Bolt, kit	\$299.00	\$284.00	\$238.00
CP10-2	1970-81 Camaro, 10 Bolt, kit	\$299.00	\$284.00	\$238.00
CP10-3	1965-67 Nova, 10 Bolt, kit	\$299.00	\$284.00	\$238.00
CP12-1	1970-82 Camaro, 12 Bolt, kit	\$299.00	\$284.00	\$238.00
CP12-2	1967-69 Camaro & 1968-72 Nova, 12 Bolt, kit	\$299.00	\$284.00	\$238.00
CP12-3	1965-67 Nova, 12 Bolt, kit	\$299.00	\$284.00	\$238.00

#6267PSK-SB



**NEW!**

**400Series™**

**500Series™**

#6768PSK



**POWER STEERING CONVERSION KITS**

CPP has the newest technology power steering conversion kits for your classic! We've got you covered with our brand new 400 Series™ as well as our very popular 500 Series™ power steering boxes for your classic Chevy. Both boxes have 3/4"-30 input shaft and utilize inverted flare hoses with 11/16"-18 pressure and 5/8"-18 return fittings. Pulleys available on page 167.

PART #	DESCRIPTION	RETAIL	JOBBER	DEALER
6267PSK-SB	1962-67 Nova with 400 Series™ box, (with SBC) kit *Note: Will not work with 1967 factory column	\$599.00	\$549.00	\$449.00
6768PSK	1967-68 Camaro with 500 Series™ box, kit	\$599.00	\$549.00	\$449.00
69PSK	1969 Camaro & 1968-74 Nova with 500 Series™ box, kit	\$599.00	\$549.00	\$449.00

NOVA / CAMARO

**NEW!**



**400Series™**

**400 SERIES™ POWER STEERING CONVERSION KIT**

This powerful little power steering box will give you a great feel and allow more clearance for engine accessories and exhaust. This box utilizes the stock inverted flare hoses, 3/4"-30 rag joint and works with MANUAL steering pitman arm. Kit includes box, rag joint extension adapter and pitman arm. Rag joint sold separately.

PART #	DESCRIPTION	RETAIL	JOBBER	DEALER
6774PSC-K400	1967-69 Camaro & 1968-74 Nova	\$399.00	\$359.00	\$279.00

**MAGNA-PURE™ IN-LINE FILTER**

Debris is a major cause of steering system failure. It travels via power steering fluid throughout the entire system, eroding and clogging various components and hoses, leading to expensive repairs. Flushing the steering system helps ensure quality repair, but does not remove 100% of debris. CARDONE's exclusive Magna-Pure™ filtration extends steering system life and ensures proper performance over the long haul.



**NEW!**

PART #	DESCRIPTION	RETAIL	JOBBER	DEALER
20-0038F	3/8" lines, each	\$20.00	\$19.00	\$18.00



**MANUAL AND POWER STEERING PITMAN ARMS**

Our replacement pitman arms are made to factory GM specs. Replacing a worn pitman arm will help reduce play in the steering system.

PART #	DESCRIPTION	RETAIL	JOBBER	DEALER
K6102	1963-67 Nova, manual steering, each	\$69.00	\$61.00	\$49.00
FA989	1971-74 Nova, power steering, each	\$89.00	\$78.00	\$65.00
67PA-M	1967 Camaro, manual steering, each	\$49.00	\$43.00	\$25.00
6869PA-M	1968-69 Camaro, manual steering, ea	\$49.00	\$43.00	\$25.00
6769PA-P	1967-69 Camaro, power steering, ea	\$49.00	\$43.00	\$25.00

**RUBBER HOSE KIT**

Complete your 400 Series™ power steering installation with this rubber hose kit. Includes pressure and return lines.



PART #	DESCRIPTION	RETAIL	JOBBER	DEALER
6267HK	1962-67 Nova, kit	\$55.00	\$48.00	\$39.00





CPP's new 400 Series™ Power Steering Box is compact and lightweight but really packs a punch!

**POWER STEERING BOXES**

The compact 400 Series™ power steering box utilizes late model steering technology for your classic. These are a direct replacement for the original manual steering box and keep perfect alignment with the OE or aftermarket column. The compact design is closely modeled after the original manual steering box. With its 13.6:1 ratio (2.75 turns lock to lock) it has the performance handling of many rack and pinion conversions without the need for extensive modifications. This box uses the original MANUAL steering pitman arm. The 400 Series box will NOT work with factory column on 1967 Nova.

Our 500 Series Box for your Camaro or Nova car is truly the best of its kind. A direct replacement for the factory power steering box or an easy way to upgrade from manual steering to power steering. The 14 to 1 ratio adds a new dimension of handling to your car, smooth operation and excellent road feedback. This box works with factory POWER steering pitman arm. Both the 400 Series™ & 500 Series have a ¾"-30 input shaft and use inverted flare hoses (11/16"-18 pressure fitting & 5/8"-18 return fitting). These are the perfect solution for your bolt on performance power steering needs! OE power steering boxes are remanufactured units and use inverted flare hoses (11/16"-18 pressure fitting & 5/8"-18 return fitting), 13/16"-36 rag joint and original power steering pitman arm.



Maximize your 500 Series™ Steering Box Performance with a heavy duty sway bar, see page 98

PART #	DESCRIPTION	RETAIL	JOBBER	DEALER
CP50005NV	1962-67 Nova, 400 Series™, 13.6:1 ratio, each	\$379.00	\$334.00	\$284.00
CP50004	1968-79 Nova, 1967-79 Camaro, 500 Series™, 14:1 ratio, each	\$379.00	\$334.00	\$289.00
CP6537C	1968-76 Nova, 1967-79 Camaro, OE reman, 16:1 ratio, each	\$299.00	\$269.00	\$225.00
CP6537Q	1968-76 Nova, 1967-79 Camaro, OE reman, 12:1 ratio, each	\$299.00	\$269.00	\$225.00



\*All reservoir kits include O-rings and fittings!

\*All pump kits include NEW 19- pump installed!

**POWER STEERING PUMP AND HOUSING KITS**

These 100% brand new pumps and reservoirs have a beautiful OEM appearance and function. Reservoirs come with all o-rings and fittings, including an AN adapter, if necessary to install in your application. All pump kits include **brand new** #19-PUMP installed. When appearance is a concern, use these OE style pumps and reservoirs. \*Reservoir canisters and canister kits include cap. Caps also sold separately.

PART #	DESCRIPTION	RETAIL	JOBBER	DEALER
<b>PUMP KITS:</b>				
19-6768SB-P	1967-68 Camaro, small block, plain, ea	\$159.00	\$140.00	\$89.00
19-6768SB-PC	1967-68 Camaro, small block, chrome, ea	\$169.00	\$149.00	\$97.00
19-6969SB-P	1969 Nova, 1969 Camaro small block, plain, ea	\$159.00	\$140.00	\$89.00
19-6969SB-PC	1969 Nova, 1969 Camaro small block, chrome, ea	\$169.00	\$149.00	\$97.00
19-6969BB-P	1969 Camaro, '69 Nova, big block, plain, ea	\$159.00	\$140.00	\$89.00
19-6969BB-PC	1969 Camaro, '69 Nova, big block, chrome, ea	\$169.00	\$149.00	\$97.00
19-7074BSB-P	1970-74 Camaro, 1970-74 Nova 8 cyl, plain, ea	\$159.00	\$140.00	\$89.00
19-7074BSB-PC	1970-74 Camaro, 1970-74 Nova 8 cyl, chrome, ea	\$169.00	\$149.00	\$97.00
<b>RESERVOIR KITS:</b>				
19-7074BSB	1970-74 Camaro, 1970-74 Nova 8 cyl, plain, each	\$39.00	\$34.00	\$26.00
19-7074BSB-C	1970-74 Camaro, 1970-74 Nova 8 cyl, chrome, ea	\$49.00	\$43.00	\$30.00
19-6768SB	1967-68 Camaro, small block, plain, each	\$39.00	\$34.00	\$26.00
19-6768SB-C	1967-68 Camaro, small block, chrome, each	\$49.00	\$43.00	\$30.00
19-6969SB	1969 Nova, 1969 Camaro, small block, plain, each	\$39.00	\$34.00	\$26.00
19-6969SB-C	1969 Nova, 1969 Camaro, small block, chrome, each	\$49.00	\$43.00	\$30.00
19-6969BB	1969 Camaro, 1969 Nova, big block, plain, each	\$39.00	\$34.00	\$26.00
19-6969BB-C	1969 Camaro, 1969 Nova, big block, chrome, each	\$49.00	\$43.00	\$30.00

NOVA / CAMARO



## CPP CLASSIC FIT™ TILT STEERING COLUMN

5-way adjusting tilt columns for those who want great performance at affordable pricing. Made from stainless steel 2" tube for automatic column shift and all floor shift applications and available in plain, chrome and black finish. Columns come with 3/4"-36 output shaft. All columns accepts any 1967-94 GM steering wheel or aftermarket adapter. Column shift columns come with both 3-speed and 4-speed shift indicators.

PART #	DESCRIPTION	RETAIL	JOBBER	DEALER
TC-6267-FP	1962-67 Nova, Floor Shift	\$299.00	\$270.00	\$209.00
TC-6266-SP	1962-66 Nova, Column Shift	\$349.00	\$315.00	\$245.00
TC-67-SP	1967 Nova, Column Shift	\$349.00	\$315.00	\$245.00

## COLUMN INSTALL KITS

This kit has all the essentials for installing a CPP 400 Series™ Box on your early Nova. Whether using an original column or floor shift column or an aftermarket tilt column, we have you covered. *Note: Aftermarket DD column must have hollow 1" DD output shaft.*

#6266SCI-KOS



PART #	DESCRIPTION	RETAIL	JOBBER	DEALER
6266SCI-KOS	1962-66 Nova, Original Shift, kit	\$139.00	\$125.00	\$104.00
6266SCI-KOF	1962-66 Nova, Original Floor, kit	\$109.00	\$99.00	\$80.00
6266SCI-K36	1962-66 Nova, Aftermarket, (3/4"-36)	\$159.00	\$147.00	\$119.00
6266SCI-KDD	1962-66 Nova, Aftermarket, (DD)	\$159.00	\$147.00	\$119.00

## POWER STEERING PUMP BRACKETS

These power steering brackets will allow you to easily bolt a power steering pump to your engine and enjoy the comfort of either a power steering box or rack & pinion steering. Brackets come in black powder coated finish.



PART #	DESCRIPTION	RETAIL	JOBBER	DEALER
PS708-S	1962-67 Nova, V8, set	\$42.00	\$42.00	\$37.00

See page 168 for Small Block and Big Block Pump Brackets



## FIREWALL COLUMN SEALS

Made of foam material.

PART #	DESCRIPTION	RETAIL	JOBBER	DEALER
SCG-6266N	1962-66 Nova, each	\$5.00	\$4.00	\$3.00
SCG-67N	1967 Nova, each	\$5.00	\$4.00	\$3.00
SCG-6768F	1967-68 Camaro, each	\$5.00	\$4.00	\$3.00
SCG-69F	1969 Camaro, each	\$5.00	\$4.00	\$3.00
SCG-7081F	1970-81 Camaro, each	\$5.00	\$4.00	\$3.00

## CUSTOM RAG JOINTS

Already have an aftermarket column and 400 Series™ Box for your early Nova and just need that custom rag joint to connect them? Available for 3/4"-36 and DD output shaft.



PART #	DESCRIPTION	RETAIL	JOBBER	DEALER
CP59060	1962-67 Nova, 3/4"-30 x 3/4"-36	\$79.00	\$70.00	\$55.00
CP59065	1962-67 Nova, 3/4"-30 x 3/4" DD	\$79.00	\$70.00	\$55.00

## STEERING BOX FITTINGS



PART #	DESCRIPTION	RETAIL	JOBBER	DEALER
605SOL	O-ring box to inv flare hoses, pair	\$16.00	\$14.00	\$10.00
605ANF-IF	IF inv flare box to-6AN hose, pair	\$16.00	\$14.00	\$10.00
605ANF-OR	O-ring box to-6AN hose, pair	\$16.00	\$14.00	\$10.00
500IOA	inv flare box to O-ring hose, pair	\$16.00	\$14.00	\$10.00