

BIG BRAKE PACKAGES INCLUDE UPGRADED ROTORS



#6872FRBK-BB-R

*Shown with optional upgraded calipers.

COMPLETE FRONT/REAR BIG BRAKE KITS

CPP introduces its own line of Big Brake kits. The 13" front system uses a 13" cross-drilled, gas slotted and zinc washed rotor, mounted to a 2024 T6 billet aluminum CNC machined anodized hub and a PBR C15 caliper that attaches to the spindle with CPP custom caliper mounting brackets. PBR C15 calipers have twin 52mm pistons and a larger brake pad surface area that offers about 60% more stopping power in the caliper than the popular C5 caliper at half the cost. Big Brake kits requires a 17" diameter disc brake type wheels (easy-to-use wheel template available). The rear kit utilizes a 12" rotor and Lincoln caliper. Kits are complete and include front and rear rotors, front and rear loaded calipers, hoses, front bearings and seals, front and rear mounting brackets, forged aluminum hubs, all necessary hardware and include a 4-wheel master cylinder and proportioning valve kit. *Note: Kits are all original drum offset. These kits are for original rear end. Inquire for alternate rear end kits.*

PART #	DESCRIPTION	RETAIL	JOBBER	DEALER
6467FRBK-BB	1964-67, 5x4.75 kit, plain calipers	\$1,498.00	\$1,318.00	\$1,089.00
6872FRBK-BB	1968-72, 5x4.75 kit, plain calipers	\$1,498.00	\$1,318.00	\$1,089.00



*Shown with upgraded calipers.

BIG BRAKE WHEEL KIT

These big brake wheel kits are designed around disc brake spindles. Includes rotors, calipers, hoses, bearing seals, mounting brackets and all necessary hardware. *Note: Big Brakes do NOT move wheels out from stock disc brake location.*



QUICK FACTS...

STOCK/DROP	drop
ROTOR	13"
CALIPER	(2)52mm
OFFSET	0
MIN. WHEEL SIZE	17"
BACKSPACING	factory



REAR BIG BRAKE KIT

CPP's system uses a 12" cross-drilled, gas slotted and zinc washed rotor that mounts to the factory axle with the longer studs supplied, and mates up to a Lincoln Continental emergency brake style caliper mounted to the rear axle housing with a CPP custom caliper mounting bracket. Includes all the rotors, calipers, brake lines, brackets, cables, hoses, clips, instructions and necessary hardware to assure a hassle-free installation. This kit requires larger diameter disc brake type 16" wheels. (easy-to-use wheel template available online). These kits work with original rear end. *Note: Kits also available for Ford 9", please inquire. Specify when using 3" rear drop.*

PART #	DESCRIPTION	RETAIL	JOBBER	DEALER
6472SWBK-D13	1964-72, plain calipers, (includes 2" drop spindles) kit	\$999.00	\$899.00	\$764.00
6472SWBK-S13	1964-72, plain calipers, (incl. stock height spindles), kit	\$999.00	\$899.00	\$764.00
6472WBK-P13	1964-72, plain calipers, (no spindles), kit	\$799.00	\$703.00	\$599.00

PART #	DESCRIPTION	RETAIL	JOBBER	DEALER
6467RWBK-P12	1964-67, kit	\$699.00	\$615.00	\$490.00
6872RWBK-P12	1968-72, kit	\$699.00	\$615.00	\$490.00

CALIPER COLOR OPTIONS: PLEASE SPECIFY WHEN ORDERING:
 (-B) black, (-BLU) blue, (-R) red, or (-S) silver

+ \$90 for 4 wheel powdercoat calipers, + \$45 for Front or Rear only



CHEVELLE / EL CAMINO

*Shown with optional upgraded rotors.

QUICK FACTS...	
STOCK/DROP	stock
ROTOR	11"
CALIPER	2.938"; 2.125"
OFFSET	+ .438"
MIN. WHEEL SIZE	15"
BACKSPACING	factory



Add -UG to any kit for drilled/slotted rotors and stainless hoses: + \$200 for 4 Wheel + \$100 for Front or Rear only

Upgrade any assembled kit to drum (D) offset for \$50!

#6774FRBP-11-UG

COMPLETE FRONT & REAR DISC BRAKE KITS

This is absolutely the most complete disc brake kit on the market and it is bolt-on easy to install. It includes a complete front disc brake wheel kit, (stock or drop spindle) complete rear disc brake kit, power brake booster with a 4-wheel disc brake master cylinder, OE style proportioning valve. Fully assembled kits also include front and rear OE material hard line kits and rear emergency brake cables. Please specify choice of booster size 7", 8", 9" and 11". Note: Drop spindles lower the center of gravity while maintaining the full suspension travel. This will drastically improve the ride, braking, steering and handling. Rear kits are for original rear ends.

PART #	DESCRIPTION	RETAIL	JOBBER	DEALER
ASSEMBLED KITS:				
6466FRBK-S	1964-66 - Stock spindle, kit	\$1,199.00	\$1,055.00	\$899.00
6466FRBK-D	1964-66 - Drop spindle, kit	\$1,299.00	\$1,169.00	\$975.00
67FRBK-S-MS	1967 - Stock spindle, kit	\$1,199.00	\$1,055.00	\$899.00
67FRBK-D-MS	1967 - Drop spindle, kit	\$1,299.00	\$1,169.00	\$975.00
6872FRBK-S	1968-72 - Stock spindle, kit	\$1,199.00	\$1,055.00	\$899.00
6872FRBK-D	1968-72 - Drop spindle, kit	\$1,299.00	\$1,169.00	\$975.00

PART #	DESCRIPTION	RETAIL	JOBBER	DEALER
UNASSEMBLED KITS:				
6774FRBP-11	1967-72, 11" booster, kit	\$1,069.00	\$941.00	\$800.00
6774FRBP-11D	1967-72, 11" booster (drop with econo spindles), kit	\$1,169.00	\$1,041.00	\$875.00
6474FRBP-9	1964-72, 9" booster, kit	\$1,069.00	\$941.00	\$800.00
6474FRBP-9D	1964-72, 9" booster (drop with econo spindles), kit	\$1,169.00	\$1,041.00	\$875.00

*Shown with optional upgraded rotors.



*Shown with optional upgraded rotors.

STOCK SPINDLE COMPLETE FRONT BRAKE KITS

Our complete stock spindle kit accepts factory ball joints and tie rod ends, thus minimizing the modifications required for installation. Works with most 15" wheels and moves the wheels out 7/16". Stock steering arms may need to be modified. Kit includes spindles, rotors, loaded calipers, caliper brackets, dust shields, bearings, seals, dust caps, spindle nuts, banjo bolts, choice of 7", 8", 9" and 11" power brake booster, master cylinder and OE style proportioning valve. Assembled kits also include an OE material hard line kit. Note: 1964-66 kit will come with 9" booster and 1967 & later kit will come with 11" booster unless otherwise specified.

PART #	DESCRIPTION	RETAIL	JOBBER	DEALER
ASSEMBLED KITS:				
6466CBK-S	1964-66, kit	\$699.00	\$629.00	\$525.00
67CBK-S	1967, kit	\$699.00	\$629.00	\$525.00
6872CBK-S	1968-72, kit	\$699.00	\$629.00	\$525.00
UNASSEMBLED KITS:				
6774FBP-11	1967-72, 11" booster, kit	\$575.00	\$506.00	\$431.00
6474FBP-9	1964-72, 9" booster, kit	\$575.00	\$506.00	\$431.00

DROP SPINDLE COMPLETE FRONT BRAKE KIT

Our complete drop spindle disc brake kit accepts factory ball joints and tie rod ends, thus minimizing the modifications required for installation. Works with most 15" wheels and moves the wheels out 7/16". Stock steering arms may need to be modified. Kit includes spindles, rotors, loaded calipers, caliper brackets, dust shields, bearings, seals, dust caps, spindle nuts, banjo bolts, choice of 7", 8", 9" and 11" power brake booster, master cylinder and OE style proportioning valve. Assembled kits also include an OE material hard line kit. Unassembled kits include our Econo drop spindle and assembled kits include our premium Modular™ drop spindles. Note: 1964-66 kit will come with 9" booster and 1967 & later kit will come with 11" booster unless otherwise specified.

PART #	DESCRIPTION	RETAIL	JOBBER	DEALER
ASSEMBLED KITS:				
CPP6466CBK-D	1964-66, kit	\$799.00	\$719.00	\$600.00
CPP67CBK-D	1967, kit	\$799.00	\$719.00	\$600.00
CPP6872CBK-D	1968-72, kit	\$799.00	\$719.00	\$600.00
UNASSEMBLED KITS:				
E6474FBP-D9	1964-72, 9" booster, kit	\$675.00	\$600.00	\$500.00
E6774FBP-D11	1967-72, 11" booster, kit	\$675.00	\$600.00	\$500.00

C5 SPINDLE WHEEL BRAKE KIT

The New CPP's Upright/Spindles are a direct bolt in replacement for many of GM's A/F/X body applications. These use the popular Generation 5 (C5) Corvette Bearing hub assemblies.

By using this new style setup, you eliminate common brake issues caused by spindle pin flex like caliper piston push-back. This is common with brake systems using the traditional spindle pin design.

This is taken care of by utilizing the modern sealed bearing and hub as one assembly. This hub bolts directly into the new upright/spindle. No bearings to grease since the hub and bearing is fully sealed.

These new design spindles also allow the use of other popular brake kit options from brands like Baer, Brembo, Wilwood, Stock C5 Corvette and others. Our part # CP30013 is also a slightly taller spindle from ball joint to ball joint and will have a better less effected camber change during suspension travel creating this tall spindle effect without the need to change upper control arms like other "Tall" spindles that are on the market today. Other key features of these new spindles are that the track width will remain the same as stock drum brakes so your tires will not move out; Keeping the front hub to hub distance the same as factory. Also, they allow the factory bolt on steering arms to be mounted keeping the steering geometry stock and true.

The CPP C5 uprights/Spindles are available today for the very popular GM A/F/X body and the 2nd generation F body cars. The CP30013 Will fit 64-72 Chevy Chevelle, El Camino, 1970-72 Monte Carlo as well as all the other Popular GM A body cars from 1964-72. These also fit 1967-69 F body applications like the 1967-69 Camaro, 1967-69 Firebird and Trans Am as well as the 1968-74 GM X body like the Nova, Apollo, Omega and Ventura's though the same year span. The CP30014 fit 1970-81 F Body cars like the Camaro, Firebird and Trans Am.



PART #	DESCRIPTION	RETAIL	JOBBER	DEALER
6474SWBK-STC5B	1964-72, black caliper, kit	\$649.00	\$589.00	\$480.00
6474SWBK-STC5R	1964-72, red caliper, kit	\$649.00	\$589.00	\$480.00
7081SWBK-SC5B	1973-77, black caliper, kit	\$649.00	\$589.00	\$480.00
7081SWBK-SC5R	1973-77, red caliper, kit	\$649.00	\$589.00	\$480.00



12" ROTOR SPINDLE WHEEL BRAKE KITS

This new and revised kit has almost everything needed to add 12" disc brakes and 2" drop spindles to your disc or drum brake car, including NEW loaded (with disc pads) big piston calipers, 12" one-piece rotors, bearings, seals, dust caps, spindle nuts, hardware, and rubber brake hoses. Works with most 15" or larger custom wheels. Provides a full 2" drop and does not change the car's steering geometry. UG kits include slotted cross drilled rotors and stainless steel hoses.



QUICK FACTS...	
STOCK/DROP	stock/drop
ROTOR	12"
CALIPER	2.938"
OFFSET	+1.25
MIN. WHEEL SIZE	15"
BACKSPACING	factory

SPINDLE WHEEL BRAKE KITS

Kits work with factory ball joints and tie rod ends, thus minimizing the modifications required for installation. Note: some vehicles may require the steering arms to be drilled out from 7/16" diameter to 1/2" diameter. Works with most 15" wheels and moves wheels out an 7/16". Includes spindles, rotors, loaded calipers, caliper brackets, dust shields, bearings, seals, dust caps, spindles nuts and brake hoses. Note: Assembled drop kits include Modular™ spindles and unassembled kits include econo drop spindles.

QUICK FACTS...	
STOCK/DROP	stock
ROTOR	11"
CALIPER	2.938"
OFFSET	+438/0
MIN. WHEEL SIZE	15"
BACKSPACING	factory

PART #	DESCRIPTION	RETAIL	JOBBER	DEALER
ASSEMBLED KITS:				
6472SWBK-S	1964-72, stock height, disc offset, kit	\$449.00	\$395.00	\$330.00
6472SWBK-S0	1964-72, stock height, drum offset, kit	\$499.00	\$449.00	\$375.00
6474SWBK-D	1964-72, Modular™ 2" drop, disc offset, kit	\$499.00	\$449.00	\$375.00
6474SWBK-D0	1964-72, Modular™ 2" drop, drum offset, kit	\$549.00	\$495.00	\$409.00

UNASSEMBLED KITS:

6474WBP-S	1964-72, stock height, kit	\$399.00	\$351.00	\$299.00
E6474WBP-D	1964-72, econo 2" drop, kit	\$449.00	\$395.00	\$330.00

PART #	DESCRIPTION	RETAIL	JOBBER	DEALER
6472SWBK-S12	1964-72, stock height, kit	\$439.00	\$386.00	\$320.00
6472SWBK-D12	1964-72, 2" drop, kit	INQUIRE		

CALIPER COLOR OPTIONS: PLEASE SPECIFY WHEN ORDERING:
 (-B) black, (-BLU) blue, (-R) red, or (-S) silver
 + \$110 for 4 wheel powdercoat calipers, + \$55 for Front or Rear only



CHEVELLE / EL CAMINO

*Shown with optional upgraded rotors.



QUICK FACTS...	
STOCK/DROP	n/a
ROTOR	11"
CALIPER	2.120"
OFFSET	+1.125"
MIN. WHEEL SIZE	15"
BACKSPACING	n/a

NEW CALIPERS!

10 & 12 BOLT FLANGE REAR BRAKE KIT

Designed to bolt directly to 10 or 12 bolt rear-end. Easy bolt-on installation. Kit includes rotors, calipers with built in E-brake, E-brake cables, rubber hose kit and all mounting hardware. Will work with C-clip eliminators. Some modifications may be necessary. *Note: Specify if using BOP rear end. Also, occasionally extra shims are required to align the rear caliper. Also, occasionally extra shims are required to align the rear caliper.*



PART #	DESCRIPTION	RETAIL	JOBBER	DEALER
1012RWBK-SE-6467	1964-67, kit	\$599.00	\$527.00	\$449.00
1012RWBK-SS-6467	1964-67, w/o Emergency Brake, kit	\$449.00	\$404.00	\$339.00
1012RWBK-SE-6872	1968-72, kit	\$599.00	\$527.00	\$449.00
1012RWBK-SS-6872	1968-72 w/o Emergency Brake, kit	\$449.00	\$404.00	\$339.00
37012	.125" shim, each	\$4.00	\$4.00	\$3.00
37013	.048" shim, each	\$4.00	\$4.00	\$3.00

Add BOP to end of part number for Buick, Olds, or Pontiac rear ends.

Remember when upgrading disc brakes you must upgrade to a disc brake master cylinder and proportioning valve.

QUICK FACTS...	
STOCK/DROP	n/a
ROTOR	11"
CALIPER	2.125"
OFFSET	+1.125"
MIN. WHEEL SIZE	15"
BACKSPACING	n/a

NEW CALIPERS!

9" FORD FLANGE REAR BRAKE KITS

We now offer bolt-on rear disc brake kits for cars and trucks using the always popular Ford 9" rear end. Perfect for the enthusiast that has upgraded his rear end and now wants the ultimate in braking. Kits include rotors, calipers, caliper mounting brackets, rubber hose kit, and mounting hardware. *Note: All kits work with small or large bearings. Caliper brackets work with both 2.37" and 2.50" for 9" flange. 3/8 flange bolt kits will also fit 8" Ford rear end. Also, occasionally extra shims are required to align the rear caliper.*



*Shown with options -UG & -R

PART #	DESCRIPTION	RETAIL	JOBBER	DEALER
CP2105-38-5434	Ford psngr car 9" (4.75 bolt pattern), 3/8" flange bolts, kit	\$599.00	\$527.00	\$419.00
CP2105-50-5434	Ford psngr car 9" (4.75 bolt pattern), 1/2" flange bolts, kit	\$599.00	\$527.00	\$419.00
10271	.048" shim, each (for 3/8" flange bolts)	\$4.00	\$4.00	\$3.00
10423	.048" shim, each (for 1/2" flange bolts)	\$4.00	\$4.00	\$3.00



REAR DISC EMERGENCY BRAKE CABLES

Rear emergency brake cables are made to connect the original front cables to the new CPP rear calipers. Cables are made specifically for each application to ensure an easy installation and fit.

PART #	DESCRIPTION	RETAIL	JOBBER	DEALER
6472EBC	1964-72, each	\$69.00	\$66.00	\$49.00

CHEVELLE / EL CAMINO

*Shown with optional upgraded rotors.



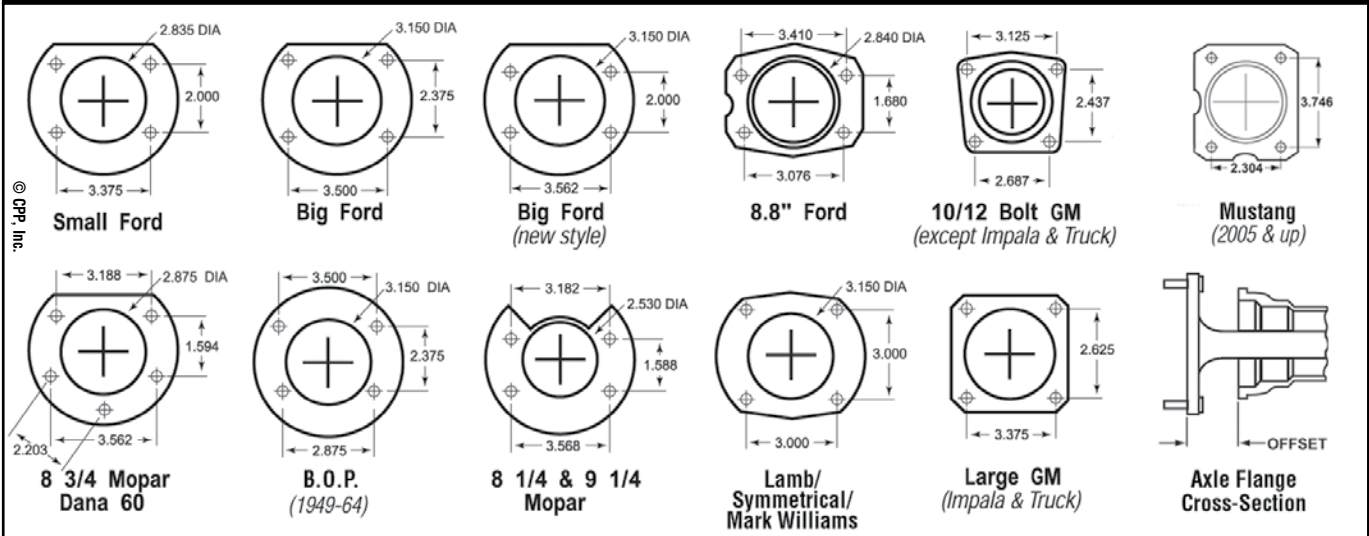
REAR BRAKE PACKAGE

CPP's rear brake package is the same quality kit as our Rear Emergency Brake Kits, but without the hard lines or e-brake cables. Fits 10 or 12 bolt axle. Also, occasionally extra shims are required to align the rear caliper.

PART #	DESCRIPTION	RETAIL	JOBBER	DEALER
1012RBP	1964-77, kit	\$499.00	\$449.00	\$375.00
37012	.125" shim, each	\$4.00	\$4.00	\$3.00
37013	.048" shim, each	\$4.00	\$4.00	\$3.00

*Not for BOP rear ends.

REAR HOUSING FLANGE CHART AND AXLE FLANGE/OFFSET CROSS SECTION



CALIPER COLOR OPTIONS: PLEASE SPECIFY WHEN ORDERING:
 (-B) black, (-BLU) blue, (-R) red, or (-S) silver

+ \$110 for 4 wheel powdercoat calipers, + \$55 for Front or Rear only



Add -UG to any kit for drilled/slotted rotors and stainless hoses:
 + \$200 for 4 Wheel
 + \$100 for Front or Rear only



CHEVELLE / EL CAMINO

#6474SMK-S



#6474SMK-D



#E6474SMK-D



Steering Arms available on page 116

MINI™ DISC KITS

Kits include the specialty parts you can't buy just anywhere. Save on freight with just the necessities. Kits work with components available at your local auto parts store. Backed by our limited CPP lifetime warranty.

PART #	DESCRIPTION	RETAIL	JOBBER	DEALER
Stock Height				
6474SMK-S	1964-72, stock spindle	\$189.00	\$166.00	\$115.00
Drop				
6474SMK-D	1964-72, drop spindle	\$299.00	\$263.00	\$205.00
E6474SMK-D	1964-72, econo drop spindle	\$249.00	\$225.00	\$175.00

STOCK DISC BRAKE SPINDLES

Looking to convert to front disc brakes? If so, then you'll need our components designed specifically to allow you to complete the job the right way.



Steering Arms available on page 116

PART #	DESCRIPTION	RETAIL	JOBBER	DEALER
6474SP-S	1964-72, each	\$99.00	\$87.00	\$59.00

NEW C5 SPINDLES

These spindles are a direct bolt on for many "A", "F" & "X" body applications. This spindle utilizes a C5 bearing. Flex on the factory spindle pins, which causes caliper piston push back, is eliminated by using this type of sealed bearing pack. This condition is especially apparent with aftermarket radial mount style calipers. These spindles also utilize C5 brakes or aftermarket alternatives (a direct fit for Baer, Brembo and Wilwood C5 applications). CP30013 is also a tall spindle and has a different, or aggressive camber change during suspension movement, keeps the drum brake offset and utilizes original or CPP replacement steering arms. The CP30014 is the first of its kind and exclusive to CPP.



PART #	DESCRIPTION	RETAIL	JOBBER	DEALER
CP30013	1964-72, pair	\$269.00	\$249.00	\$195.00
CP30014	1973-77, pair	\$269.00	\$249.00	\$195.00
513139	Hub and bearing pack, each	\$79.00	\$71.00	\$59.00

NEW SCHOOL SPINDLES FOR 12" DISC BRAKE FOR 15" + WHEELS

These newly revised cast iron spindles allow you to add 12" disc brakes to your car. Works with 1970-78 Camaro calipers and 1988-92 Camaro 1LE 12" rotors. Will accept most 15" disc or larger custom wheels. Provides a full 2" drop and does not change the car's geometry.



PART #	DESCRIPTION	RETAIL	JOBBER	DEALER
6472DS-12	1964-72 Drop Spindle, pair	\$219.00	\$193.00	\$139.00
6472SS-12	1964-72 Stock Spindle, pair	\$219.00	\$193.00	\$139.00

2" MODULAR™ DROP SPINDLES

CPP's one-piece forged iron design with pressed in alloy steel axle pin; installs with no modifications; and lowers your vehicle 2". In some cases, this is accomplished without moving the wheels out! These work with CPP Big Brakes and many manufacturers brake kits in many different brake sizes...ideal for today's larger wheels.



PART #	DESCRIPTION	RETAIL	JOBBER	DEALER
CP30100	1964-72, pair	\$225.00	\$198.00	\$165.00

ECONO LINE DROP SPINDLES

These spindles work with original disc as well as the ever-popular Big Brake kits. Its unique design not only lowers your vehicle 2", it allows the use of stock steering arms and the factory 11" single piston disc brakes all for a very affordable price.



PART #	DESCRIPTION	RETAIL	JOBBER	DEALER
E6474DS	1964-72, pair	\$179.00	\$160.00	\$135.00



OEM-STYLE DISC BRAKE DUST SHIELDS

Stock type disc brake dust shields. Works with OE style disc brakes. #CPDS-10 also work with CPP OE style stock & drop spindles. #DBDS-M work with #CP30100 Modular™ and Econo drop spindles.

PART #	DESCRIPTION	RETAIL	JOBBER	DEALER
DBDS	1964-72, stock disc spindle, pair	\$39.00	\$34.00	\$20.00
DBDS-M	CP30100 Modular™ & econo drop spindles, pair	\$49.00	\$43.00	\$20.00

DISC BRACKETS

These caliper brackets are designed to fit 1967-69 Camaro, 1964-72 Chevelle and 1968-74 Nova (requires disc brake spindles).



PART #	DESCRIPTION	RETAIL	JOBBER	DEALER
6474DB	1964-72, pair	\$55.00	\$48.00	\$40.00
6474DB-M	Fits #CP30100 and #E6474DS, pair	\$80.00	\$70.00	\$55.00



DROP SPINDLE BRAKE COMPONENTS & KITS

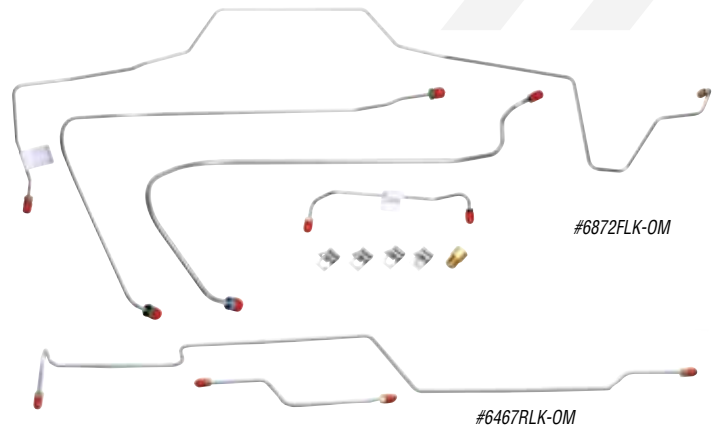
Top quality rotors, calipers, hoses, bearings and seals...all the parts necessary to turn your drop spindles into a complete brake system. Deluxe (UG) kits come with drilled/slotted rotors and stainless steel hoses. Standard kits come with plain rotors and rubber hoses. Kits include rotors, calipers, brake hoses, bearings, seals, banjo bolts and spindle nut kits. Individual components also available.

PART #	DESCRIPTION	RETAIL	JOBBER	DEALER
2709	standard fits #6474SP-S, #CP30100, pair	\$225.00	\$214.00	\$205.00
2709UG	deluxe fits #6474SP-S, #CP30100, pair	\$325.00	\$309.00	\$275.00
2711	standard fits ALL 12" rotor spindles, kit	\$225.00	\$214.00	\$205.00
2711UG	deluxe fits ALL 12" rotor spindles, kit	\$325.00	\$309.00	\$275.00

STOCK SPINDLE STEERING ARM HARDWARE KIT



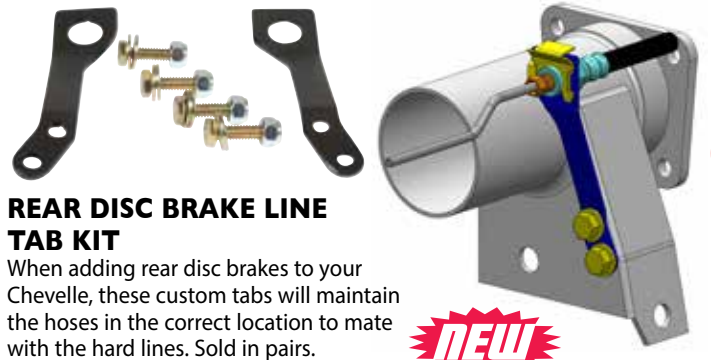
PART #	DESCRIPTION	RETAIL	JOBBER	DEALER
CPSAH-K	kit	\$7.00	\$6.00	\$5.00



BRAKE LINE KITS

We've got power brake pre-bent lines, rear axle lines for disc and universal kits for your street rod or custom application. Pre-bent line kits require no bending or flaring of lines, just bolt them in. Universal kits available in an affordable basic kit and also a deluxe kit. Most line kits are available in original material (OM) or stainless steel (SS). Note: Some line kits ship O/S; additional freight charges apply. Also, rear kits are for disc applications only.

PART #	DESCRIPTION	RETAIL	JOBBER	DEALER
6466FLK-OM	1964-66, front mini, orig. material, kit	\$29.00	\$26.00	\$19.00
6466FLK-SS	1964-66, front mini, stainless steel, kit	\$39.00	\$34.00	\$29.00
6467RLK-OM	1964-67, rear, original material, kit	\$35.00	\$31.00	\$24.00
6467RLK-SS	1964-67, rear, stainless steel, kit	\$55.00	\$48.00	\$32.00
6467RLK-CURRIE-OM	1964-67 w/ Currie rear end (disc brakes), orig. mat., kit	\$35.00	\$31.00	\$24.00
6467RLK-CURRIE-SS	1964-67 w/ Currie rear end (disc brakes), stainless st., kit	\$50.00	\$44.00	\$32.00
67FLK-OM-B	1967, Big Block front, orig. material, kit	\$79.00	\$70.00	\$59.00
67FLK-SS-B	1967, Big Block front, stainless, kit	\$99.00	\$89.00	\$75.00
67FLK-OM-S	1967, Small Block front, orig. material, kit	\$79.00	\$70.00	\$59.00
67FLK-SS-S	1967, Small Block front, stainless, kit	\$99.00	\$89.00	\$75.00
6872FLK-OM	1968-72, front, original material, kit	\$79.00	\$70.00	\$48.00
6872FLK-SS	1968-72, front, stainless steel, kit	\$99.00	\$89.00	\$69.00
6872RLK-OM	1968-72, rear, original material, kit	\$35.00	\$31.00	\$24.00
6872RLK-SS	1968-72, rear, stainless steel, kit	\$50.00	\$44.00	\$32.00
6872RLK-CURRIE-OM	1968-72 w/ Currie rear end (disc brakes), orig. mat., kit	\$35.00	\$31.00	\$24.00
6872RLK-CURRIE-SS	1968-72 w/ Currie rear end (disc brakes), stainless st., kit	\$50.00	\$44.00	\$32.00



REAR DISC BRAKE LINE TAB KIT

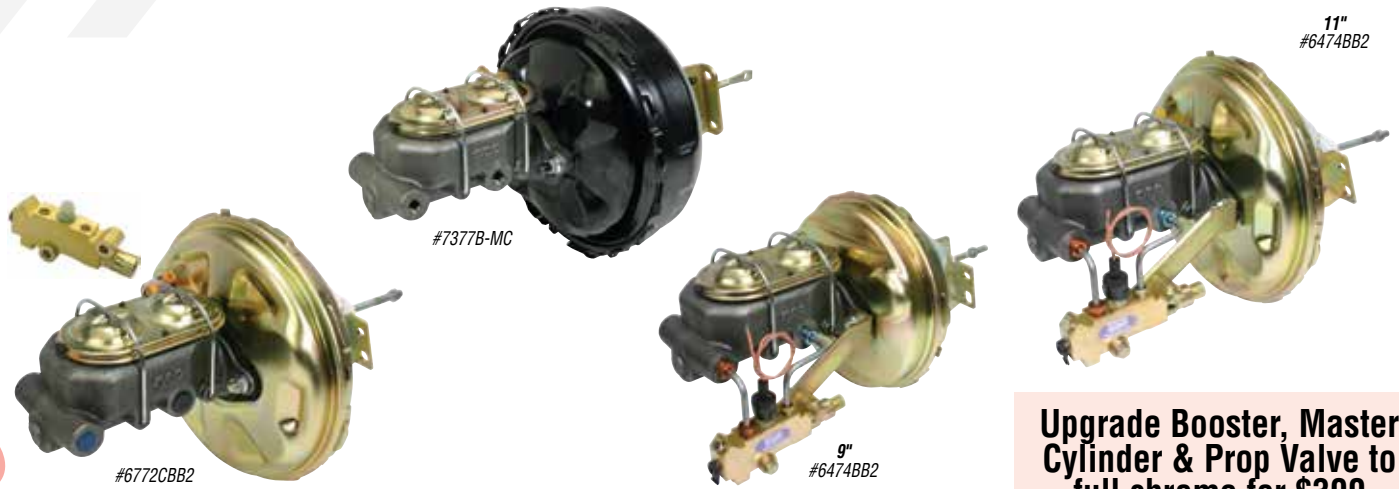
When adding rear disc brakes to your Chevelle, these custom tabs will maintain the hoses in the correct location to mate with the hard lines. Sold in pairs.



PART #	DESCRIPTION	RETAIL	JOBBER	DEALER
6472RDBL-TK	1964-72, pair	\$29.00	\$26.00	\$20.00

CHEVELLE / EL CAMINO

CHEVELLE / EL CAMINO



Upgrade Booster, Master Cylinder & Prop Valve to full chrome for \$300

FIREWALL BRAKE BOOSTER KITS

Due to higher line pressures required with disc brakes, it is recommended that a power assist unit be added to the system. These vacuum assist units are the solution! Firewall brake booster units tuck to the firewall and include a firewall seal to prevent fumes from entering the vehicle. Kit includes booster and 3/16" mounting brackets, linkage to connect to the pedal, firewall seal, and master cylinder. Disc/drum and disc/disc kits also include proportioning valve and bracket assembly. Kits available in 7", 8", 9" or 11" and both single and dual diaphragm. If not specified, default booster diameter for your application will be provided. Note: #7377B-MC does not include proportioning valve assembly.

PART #	DESCRIPTION	RETAIL	JOBBER	DEALER
6474BBD	1964-72, drum/drum, kit (Note: This kit will not work with 1967-72 line kits)	\$299.00	\$263.00	\$210.00
6474BB2	1964-72, disc/drum, kit (Note: This kit will not work with 1967-72 line kits)	\$299.00	\$263.00	\$210.00
6474BB4	1964-72, disc/disc, kit (Note: This kit will not work with 1967-72 line kits)	\$299.00	\$263.00	\$210.00
6772CBBD	1967-72, drum/drum, kit (use with CPP line kits) (prop valve mounting on frame)	\$289.00	\$263.00	\$210.00
6772CBB2	1967-72, disc/drum, kit (use with CPP line kits) (prop valve mounting on frame)	\$289.00	\$263.00	\$210.00
6772CBB4	1967-72, disc/disc, kit (use with CPP line kits) (prop valve mounting on frame)	\$289.00	\$263.00	\$210.00
7377B-MC	1973-77, kit (booster and master only)	\$299.00	\$263.00	\$210.00

OEM REPLACEMENT BRAKE BOOSTERS

Replace your original or upgrade to power with one of CPP's brake boosters. All boosters are brand new and are available in both brilliant gold cadmium plating or a production chrome. OE applications come with firewall bracketry and pedal linkage. Universal street rod applications have a 4 bolt mounting pattern that is 3-3/8" square and accept a master cylinder that has a 3-3/8" spread. All boosters come with a long and short pin for either deep or shallow master cylinders.



PART #	DESCRIPTION	RETAIL	JOBBER	DEALER
6466SRB-0	1964-66, gold cad	\$149.00	\$131.00	\$95.00
6466SRB-OC	1964-66, chrome	\$249.00	\$225.00	\$170.00
6774SRB-0	1967-72, gold cad	\$149.00	\$131.00	\$95.00
6774SRB-OC	1967-72, chrome	\$249.00	\$225.00	\$170.00

POWER BRAKE BOOSTER BOOT, CLEVIS & PIN KIT

Necessary when converting from manual to power brakes. 2-3/8" and 4" booster pins available.



PART #	DESCRIPTION	RETAIL	JOBBER	DEALER
6474SRB-BK	1964-72, complete, kit	\$12.00	\$11.00	\$6.00
6474SRB-B	1964-72, boot, each	\$5.00	\$4.00	\$3.00
6474SRB-C	1964-72, booster clevis, each	\$5.00	\$4.00	\$3.00
6474SRB-SP	1964-72, 2-3/8" booster pin (shallow bore master), each	\$2.00	\$2.00	\$1.00
6474SRB-DP	1964-72, 4" booster pin (deep bore master), each	\$2.00	\$2.00	\$1.00

Vacuum Hose Kits

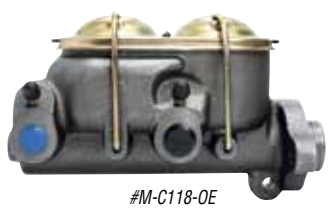


Available on page 156

Combination Valve Tool



Use this handy tool when bleeding brakes to avoid having to reset your prop valve. See page 154



OE FIT MASTER CYLINDERS

Original fit and finish, all brand new masters.

PART #	DESCRIPTION	RETAIL	JOBBER	DEALER
M-82017	1964-66, each	\$69.00	\$61.00	\$44.00
M-C118-OE	1967-72 Power w/5468309 stamping, ea	\$89.00	\$78.00	\$55.00



Show Stopper



Street Beast



#HAKK-S Line Kit included with Show Stopper Kit



#HAKK-R Line Kit included with Street Beast Kit

HYDRA STOP™ HYDRAULIC ASSIST SYSTEM

We now offer a high-quality direct bolt-in hydraulic brake booster kit designed to upgrade manual or vacuum-assisted brakes with a powerful and compact modern hydraulic assist unit. These systems include everything you need to install into your vehicle. Most installations can be accomplished in an afternoon, using common hand tools, with average mechanical skill levels. These systems consist of a direct fit high performance, hydraulic brake assist unit (with options for steel or billet aluminum firewall mounting bracket); braided stainless or rubber, high pressure line set ; heavy duty power steering return line; pedal rod hardware and mounting hardware. Using all new parts, this unit puts out an amazing 1800psi at the wheels! The "Show Stopper" package includes: Hydraulic Brake Assist unit with billet aluminum firewall mounting bracket, #MCPV1 master cylinder, chrome accumulator cover, stainless pressure hoses, rubber return hoses and all necessary fittings and hardware for installation. The "Street Beast" package includes: Hydraulic Brake Assist Unit with steel firewall mounting bracket, aluminum corvette style master cylinder, side mounted Prop & Stop Block kit, rubber pressure & return hoses and all necessary fittings and hardware for installation. Bare Units are Hydraulic Assist only, master cylinder and hoses are not included.

PART #	DESCRIPTION	RETAIL	JOBBER	DEALER
6474HBK-SS	1964-72 Chevelle & El Camino, Show Stopper, kit	\$899.00	\$829.00	\$675.00
6474HBK-SB	1964-72 Chevelle & El Camino, Street Beast, kit	\$749.00	\$695.00	\$560.00

Bare Units:

6474HBK-BSS	1964-72 Chevelle & El Camino, billet bracket, each	\$469.00	\$435.00	\$349.00
6474HBK-BSB	1964-72 Chevelle & El Camino, steel bracket, each	\$389.00	\$365.00	\$299.00
HAKK-S	Stainless Hose, kit	\$199.00	\$180.00	\$149.00
HAKK-R	Rubber Hose, kit	\$115.00	\$104.00	\$85.00



HYDRAULIC BOOSTER BRACKET KIT

This attractive billet bracket will allow the use of a GM L/T hydraulic brake assist on your Chevelle or El Camino and bolt directly to your firewall. Kit includes billet mounting bracket and installation tool.

PART #	DESCRIPTION	RETAIL	JOBBER	DEALER
6474HBB-K	1964-72 Chevelle & EC, kit	\$129.00	\$116.00	\$95.00

MAGNA-PURE™ IN-LINE FILTER

Debris is a major cause of steering system failure. It travels via power steering fluid throughout the entire system, eroding and clogging various components and hoses, leading to expensive repairs. Flushing the steering system helps ensure quality repair, but does not remove 100% of debris. CARDONE's exclusive Magna-Pure™ filtration extends steering system life and ensures proper performance over the long haul.



PART #	DESCRIPTION	RETAIL	JOBBER	DEALER
20-0038F	3/8" lines, each	\$20.00	\$19.00	\$18.00

HYDRAULIC BRAKE ASSIST UNIT COVER

This attractive chrome plated cover will add a little something extra to the appearance of your hydraulic brake booster when used to slip over the accumulator unit. Includes hex head set screws to lock in place.



PART #	DESCRIPTION	RETAIL	JOBBER	DEALER
CP5100	Chrome Accumulator cover, each	\$69.00	\$62.00	\$49.00

Need Help?

Our brake bleeding syringes make bleed-ing a snap! See page 155



CHEVELLE / EL CAMINO

CHEVELLE / EL CAMINO

CPP EXCLUSIVE!



Put a C. P. P. under your ride today!

COMPLETE PERFORMANCE PACKAGE

Get a Complete Performance Package and tune up your chassis with some of the best upgrades for a great price! This package teams up all of the pieces that will convert your ride into a corner carver on the track and a pleasure to drive on the streets. Totally Tubular™ Control arms in the front and the rear, front and rear coil springs, front and rear performance sway bars and front and rear Black Magic™ performance tuned shocks are part of the kits. Kits also feature our C5 spindles & hubs that offer the latest in braking technology and 500 Series™ performance power steering box. Arms are available in gloss black powder coat. *Note: Requires 17" or larger wheels.*

PART #	DESCRIPTION	RETAIL	JOBBER	DEALER
6467CPP-K	1964-67, kit	\$2,119.00	\$2,000.00	\$1,589.00
6872CPP-K	1968-72, kit	\$2,119.00	\$2,000.00	\$1,589.00

**We Design It...We Make It...
You Benefit!**

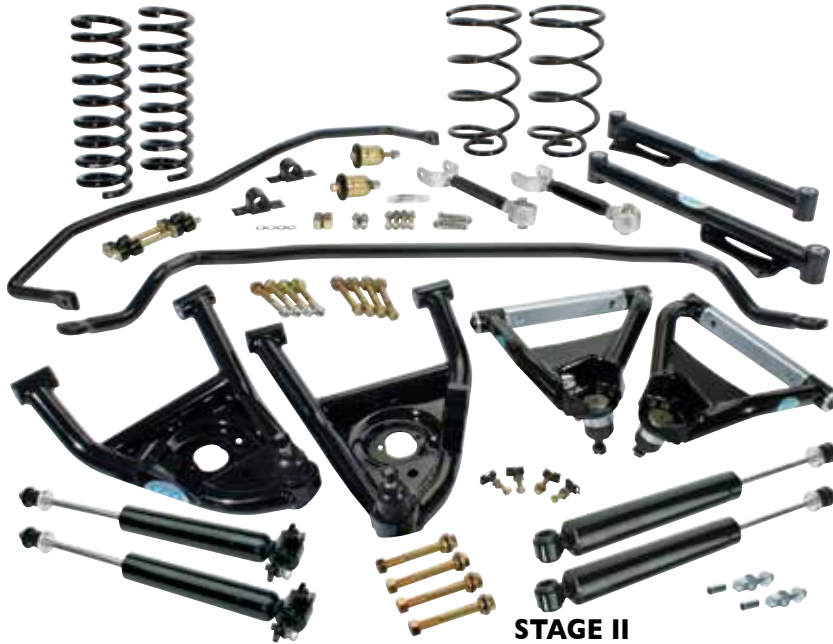


The finest parts at the lowest price!

PRO-TOURING KITS

CPP's new Pro-Touring Kits provide the ultimate performance for an affordable price. Our kits are made in the USA with the quality you have come to expect from Classic Performance Products. Included with each kit is a front and rear sway bar, combined with the lowered stance and performance enhancements of either the lowered coil springs and gas shock combo in the Stage I kits or the adjustable coil over package in the Stage II kits would be great on their own. When adding CPP's award-winning MCPV-1 master cylinder; along with our front and rear 11" or 13" brake kit, you have a "tried and true" Pro-Touring package in the Stage III and Stage IV kits. Add a 500 Series™ steering box to get even more steering performance out of your classic muscle.

#6467PTK-1




500Series™

Add a 500 Series™ Steering Box for the Ultimate Performance!

STAGE I

Includes front lowered coil springs, front and rear shocks, front and rear sway bar kits, upper and lower control arms, rear control arms and rear lowered coil springs.

PART #	DESCRIPTION	RETAIL	JOBBER	DEALER
6467PTK-1	1964-67, kit	\$1,699.00	\$1,529.00	\$1,329.00
6872PTK-1	1968-72, kit	\$1,699.00	\$1,529.00	\$1,329.00

STAGE II

Includes front coil over kits, rear QA1 shocks and front and rear sway bar kits, front upper & lower control arms, rear upper and lower control arms and rear lowered coil springs.

PART #	DESCRIPTION	RETAIL	JOBBER	DEALER
6467PTK-2	1964-67, kit	\$2,199.00	\$2,089.00	\$1,813.00
6872PTK-2	1968-72, kit	\$2,199.00	\$2,089.00	\$1,813.00

Please specify style of rear spring perch for 1967 models



#6872PTK-4

STAGE III

Includes all Stage II pieces plus front and rear 11" stock height front and rear brakes and MCPV1 master cylinder.

PART #	DESCRIPTION	RETAIL	JOBBER	DEALER
6467PTK-3	1964-67, kit	\$2,999.00	\$2,849.00	\$2,699.00
6872PTK-3	1968-72, kit	\$2,999.00	\$2,849.00	\$2,699.00

STAGE IV

Includes all Stage 2 pieces plus 13" front and 12" rear Big Brakes with red calipers and our MCPV1 master cylinder. Note: Requires disc brake spindles.

PART #	DESCRIPTION	RETAIL	JOBBER	DEALER
6467PTK-4	1964-67, kit	\$3,599.00	\$3,419.00	\$3,099.00
6872PTK-4	1968-72, kit	\$3,599.00	\$3,419.00	\$3,099.00



**AVAILABLE IN
BLACK OR SILVER**

TUBULAR CONTROL ARMS

CPP's quality upper and lower Totally Tubular™ control arms are welded for maximum strength and visual impact. The lower control arms have a helical stamped coil spring mount, just like they did from the factory, which secures the coil spring into the lower control arm. The coil mount has been improved to make installation even easier. The lower shock mount is incorporated into the stamped coil plate and will also accept QA-1 coil over and Ridetech Shockwave™ units as well. This stamping is welded around its entire perimeter. All arms that contain cross shafts are preassembled with the cross shafts and pivot sleeves and have a safety feature that captures both sides of the bushing, unlike the originals that were only retained on the one side of the bushing under the head of the bolt. This unique feature allows full control and virtually no flex on the control arm when cornering. Arms are available in gloss black or silver powder coat. Economy import arms also available for some applications. *Note: #6472ETA-K will lower vehicle 1-1/2".*

PART #	DESCRIPTION	RETAIL	JOBBER	DEALER
6472TCA-UKB	1964-72, Upper, black, pair	\$337.00	\$297.00	\$244.00
6472TCA-UKS	1964-72, Upper, silver, pair	\$337.00	\$297.00	\$244.00
6472TCA-LKB	1964-72, Lower, black, pair	\$445.00	\$392.00	\$327.00
6472TCA-LKS	1964-72, Lower, silver, pair	\$445.00	\$392.00	\$327.00
6472TCA-ULK-B	1964-72, Upper/Lower, black, kit	\$733.00	\$645.00	\$533.00
6472TCA-ULK-S	1964-72, Upper/Lower, silver, kit	\$733.00	\$645.00	\$533.00
6472ETA-K	1964-72, Economy Import, Upper/Lower, black, set	\$399.00	\$351.00	\$299.00

See ShopTalk on Page 121

Complete details on our Tubular Control Arms



Our team can assist you with shipping quotes, scheduling, special labeling and packaging requirements.

Whether your needs are single shipments, drop ships, LTL, air or ground shipments, let us help you!

Send your requests to dealer@classicperform.com

#6467SLK-CP



**PERFECT WITH
OUR 500 SERIES™
GEAR BOXES**

POWER STEERING LINKAGE KITS

A must when upgrading to a power steering box for maximum performance and handling. No modification required. Includes complete new centerlink, pitman arm, and idler arm, inner and outer tie rod ends and aluminum tie rod adjustment sleeves. This kit is the perfect compliment to our Totally Tubular™ control arm kits when needing those final pieces. *Note: Basic kits do not include the tie rod ends or adjuster sleeves.*

PART #	DESCRIPTION	RETAIL	JOBBER	DEALER
COMPLETE KITS:				
6467SLK-CP	1964-67, kit	\$199.00	\$179.00	\$159.00
6870SLK-CP	1968-70, kit	\$199.00	\$179.00	\$159.00
7172SLK-CP	1971-72, kit	\$199.00	\$179.00	\$159.00
BASIC KITS:				
6467SLK	1964-67, kit	\$145.00	\$138.00	\$116.00
6872SLK	1968-72, kit	\$145.00	\$138.00	\$116.00



ROLLER BEARING HUB UPGRADE KIT

CPP's new replacement forged aluminum hubs with new studs and installed bearing races are stronger and safer than any hub on the market to date. Our kit is also 2 lbs. lighter for added performance and fuel efficiency. A perfect fit for today's modern wheels and tires and any type of brake upgrade. Kit comes complete with two new forged aluminum hubs, inner and outer bearings & races, wheel studs, wheel hub seals, hub caps, hub washers, grease caps and cotter pins.

PART #	DESCRIPTION	RETAIL	JOBBER	DEALER
6474RBH-K	1964-72, kit	\$189.00	\$166.00	\$139.00



OE DRUM HUB KIT

Replace your worn out drum hubs with this kit that contains all new components.

PART #	DESCRIPTION	RETAIL	JOBBER	DEALER
6474HK-OE	1964-72, kit	\$69.00	\$50.00	\$40.00

**Tools to Help Your Customers
Get the Job Done!**

Check out our new Power Brake
Booster Install Kits

#PDBI-K25 (25" hose)
\$27.00

#PDBI-K50 (50" hose)
\$29.00



CHEVROLET / EL CAMINO



#6466LHP-K

PERFORMANCE HANDLING KIT

The 1-1/8" front and 1" rear sway bars play an important role in providing your car with the great handling you're after. They reduce body roll and help to reduce over and under steer. Combined with a lowered stance and the enhancements of the lowered front and rear coil springs and gas shock combo, the performance handling kit is the upgrade that is designed for the budget minded. Kit includes front and rear sway bars, front and rear gas shocks and front and rear lowered springs.

PART #	DESCRIPTION	RETAIL	JOBBER	DEALER
6466LHP-K	1964-66, kit	\$639.00	\$579.00	\$490.00
6872LHP-K	1967-72, kit	\$639.00	\$579.00	\$490.00



Picture shown for display only. Actual components may vary.

PERFORMANCE PLUS FRONT END KIT

CPP's Performance Plus kits complement CPP's Polyplus™ performance line and not only replaces your worn out suspension components, but also increases your performance and handling. Kit contains heat treated, tempered and factory tested front coil springs, front 3 way adjustable shocks, which allow you to set the compression / rebound to 70/30, 50/50 or 40/60, Polyplus™ performance graphite upper and lower control arm bushings, and bumpstops — engineered to give superior performance while withstanding the environmental elements that destroy rubber, Polyplus™ strut rod bushings, upper and lower ball joints, inner and outer tie rod ends, tie rod adjusting sleeves, and idler arm. Sway bar bushings and end links are sold separately. Note: the Polyplus™ graphite formula prevents the squeaking that occurs with a traditional polyurethane bushing. Contents of kit may vary according to vehicle.

PART #	DESCRIPTION	RETAIL	JOBBER	DEALER
64SDFK-P7	1964 with 7/8" Idler, kit	\$479.00	\$431.00	\$344.00
64SDFK-P13	1964 with 13/16" Idler, kit	\$459.00	\$413.00	\$330.00
65SDFK-P	1965, kit	\$479.00	\$431.00	\$344.00
66SDFK-P	1966, kit	\$499.00	\$450.00	\$367.00
67SDFK-PM	1967, kit	\$499.00	\$450.00	\$367.00
6870SDFK-P	1968-70, kit	\$479.00	\$431.00	\$344.00
7172SDFK-PM	1971-72, kit	\$559.00	\$504.00	\$401.00

STEERING ARMS

A new reproduction forged to look and perform just like the original steering arms. No more having to grind them down or dispose of them when using the old style spindles and brake kits. Install these when you upgrade the brakes, spindles or lower control arms.



STEERING ARM HARDWARE KIT

PART #	DESCRIPTION	RETAIL	JOBBER	DEALER
6472SP-A	1964-72, pair	\$69.00	\$61.00	\$49.00
CPSAH-K	kit	\$7.00	\$6.00	\$5.00



COMPLETE POLYPLUS™ FRONT END KIT

CPP's POLYPLUS™ front end kits make it possible to achieve better than new performance for a modest price. All kits includes: upper and lower ball joints, inner and outer tie rod ends, tie rod adjusting sleeves, idler arm or idler arm bushing. All car include upper and lower POLYPLUS™ control arm bushings, and bump stops. Sway bar bushings and end links sold separately.

PART #	DESCRIPTION	RETAIL	JOBBER	DEALER
64SFK-P7	1964, 7/8" idler arm, kit	\$309.00	\$279.00	\$216.00
64SFK-P13	1964, 13/16" idler arm, kit	\$289.00	\$270.00	\$202.00
65SFK-P	1965, kit	\$309.00	\$279.00	\$216.00
66SFK-P	1966, kit	\$329.00	\$296.00	\$239.00
67SFK-PM	1967, kit	\$329.00	\$296.00	\$239.00
6870SFK-P	1968-70, kit	\$309.00	\$279.00	\$216.00
7172SFK-PM	1971-72, kit	\$389.00	\$350.00	\$272.00
73SFK-P58	1973, w/ 1-5/8" lower bushing, kit	\$389.00	\$350.00	\$272.00
73SFK-P38	1973, w/ 1-3/8" lower bushing, kit	\$389.00	\$350.00	\$272.00
74SFK-P58	1974, w/ 1-5/8" lower bushing, kit	\$389.00	\$350.00	\$272.00
74SFK-P38	1974, w/ 1-3/8" lower bushing, kit	\$389.00	\$350.00	\$272.00
7577SFK-P	1975-77, kit	\$389.00	\$350.00	\$272.00

COMPLETE RUBBER FRONT END KIT

Don't overlook your front end when rebuilding your classic Chevy, replace your old worn out bushings, ball joints and tie rod ends. CPP's rubber front end kits make it possible to achieve better than new performance for a modest price. All kits includes: upper and lower ball joints, inner and outer tie rod ends, tie rod adjusting sleeves, idler arm or idler arm bushing, upper and lower rubber control arm bushings, and bump stops. Sway bar bushings and end links sold separately.

PART #	DESCRIPTION	RETAIL	JOBBER	DEALER
64SFK-R7	1964, w/ 7/8" idler arm, kit	\$289.00	\$260.00	\$202.00
64SFK-R13	1964, w/ 13/16" idler arm, kit	\$269.00	\$242.00	\$188.00
65SFK-R	1965, kit	\$259.00	\$233.00	\$202.00
66SFK-R	1966, kit	\$289.00	\$260.00	\$202.00
67SFK-RM	1967, kit	\$309.00	\$279.00	\$216.00
6870SFK-R	1968-70, kit	\$309.00	\$279.00	\$216.00
7172SFK-RM	1971-72, kit	\$289.00	\$260.00	\$202.00
73SFK-R58	1973, w/ 1-5/8" lower bushing, kit	\$369.00	\$332.00	\$258.00
73SFK-R38	1973, w/ 1-3/8" lower bushing, kit	\$369.00	\$332.00	\$258.00
74SFK-R58	1974, w/ 1-5/8" lower bushing, kit	\$369.00	\$332.00	\$258.00
74SFK-R38	1974, w/ 1-3/8" lower bushing, kit	\$369.00	\$332.00	\$258.00
7577SFK-R	1975-77, kit	\$369.00	\$332.00	\$258.00



POLYPLUS™ FRONT END KITS

POLYPLUS™ bushings, used in our front end kits, are the ultimate combination of polyurethane and graphite. The first for performance and durability; the second for superior lubricating qualities which provides smooth operation. Kits include upper and lower ball joints, outer tie rod ends, control arm bushing kit and lower bump stops.

PART #	DESCRIPTION	RETAIL	JOBBER	DEALER
6465FK-P	1964-65, kit	\$229.00	\$207.00	\$160.00
66FK-P	1966, kit	\$239.00	\$216.00	\$169.00
6770FK-PM	1967-70, kit	\$239.00	\$216.00	\$169.00
7172FK-P	1971-72, kit	\$259.00	\$235.00	\$181.00
73FK-P58	1973, w/ 1-5/8" lower bushing, kit	\$259.00	\$235.00	\$181.00
73FK-P38	1973, w/ 1-3/8" lower bushing, kit	\$259.00	\$235.00	\$181.00
74FK-P58	1974, w/ 1-5/8" lower bushing, kit	\$259.00	\$235.00	\$181.00
74FK-P38	1974, w/ 1-3/8" lower bushing, kit	\$259.00	\$235.00	\$181.00
7577FK-P	1975-77, kit	\$259.00	\$235.00	\$181.00

RUBBER FRONT END KITS

Never overlook your front end when rebuilding your classic Chevy vehicle. Replace your old worn out bushings, ball joints and tie rod ends. CPP's rubber front end kits make it possible to achieve better than new performance for a modest price. All kits include: upper and lower ball joints, outer tie rod ends, control arm bushings, and bump stops.

PART #	DESCRIPTION	RETAIL	JOBBER	DEALER
6465FK-R	1964-65, kit	\$209.00	\$189.00	\$146.00
66FK-R	1966, kit	\$219.00	\$197.00	\$153.00
6770FK-RM	1967-70, kit	\$219.00	\$197.00	\$153.00
7172FK-R	1971-72, kit	\$239.00	\$215.00	\$167.00
73FK-R58	1973, w/ 1-5/8" lower bushing, kit	\$239.00	\$215.00	\$167.00
73FK-R38	1973, w/ 1-3/8" lower bushing, kit	\$239.00	\$215.00	\$167.00
74FK-R58	1974, w/ 1-5/8" lower bushing, kit	\$239.00	\$215.00	\$167.00
74FK-R38	1974, w/ 1-3/8" lower bushing, kit	\$239.00	\$215.00	\$167.00
7577FK-R	1975-77, kit	\$239.00	\$215.00	\$167.00

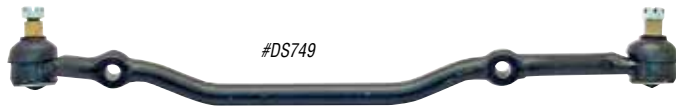
CHEVELLE / EL CAMINO



UPPER & LOWER CONTROL ARM CROSS SHAFT KITS

Cross shafts are an essential components of your front suspension. Without them you aren't going anywhere. OEM replacement for this high wear item kit includes one shaft with grease seals and end caps, or bushings.

PART #	DESCRIPTION	RETAIL	JOBBER	DEALER
FA1019	1964-72, each	\$49.00	\$44.00	\$38.00



CENTERLINKS

We now offer stock replacement steering centerlinks for your classic. A worn steering link will cause the steering system to wander and increase tire wear.

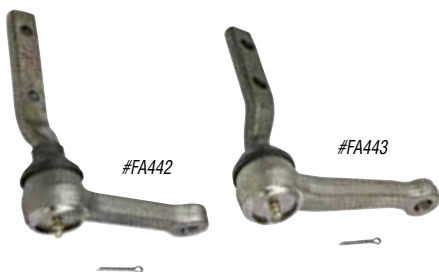
PART #	DESCRIPTION	RETAIL	JOBBER	DEALER
DS682	Early 1964 Chevelle/El Camino - (uses 13/16" idler arm), each	\$99.00	\$87.00	\$69.00
DS740	Late 1964-67 Chevelle/El Camino - 14.5" eye-to-eye (uses 7/8" idler arm), each	\$89.00	\$78.00	\$63.00
DS749	1968-72 Chevelle/El Camino - 15.25" eye-to-eye (uses 13/16" idler arm), each	\$74.00	\$67.00	\$56.00



UPPER & LOWER BALL JOINTS

Replacing the ball joints on your front end helps to reduce steering "slop" and makes your car much safer to drive. Meet OE specification. Direct replacement that requires no modifications. Boots and hardware included.

PART #	DESCRIPTION	RETAIL	JOBBER	DEALER
FA487	1964-72, each	\$19.00	\$17.00	\$10.00
FA993	1964-72, each	\$23.00	\$20.00	\$14.00



IDLER ARMS

The idler arm is a very important part of any steering system. A worn idler arm can cause tire wear and play in the steering system.

PART #	DESCRIPTION	RETAIL	JOBBER	DEALER
FA442	1964-67, 7/8" diameter, each	\$49.00	\$43.00	\$35.00
FA443	1964 & 1968-72, 13/16" diameter, ea	\$29.00	\$26.00	\$21.00



TIE ROD ENDS

Replacing the tie rod ends on your front end greatly reduces steering "slop" and makes your car much safer to drive. Includes all hardware and dustboots.

PART #	DESCRIPTION	RETAIL	JOBBER	DEALER
ES681N	1964-70, inner, each	\$16.00	\$14.00	\$12.00
ES406L	1971-72, inner, each	\$49.00	\$43.00	\$29.00
ES333R	1964-70, outer, each	\$39.00	\$34.00	\$25.00
ES406R	1971-72, outer, each	\$49.00	\$43.00	\$29.00



BILLET ALUMINUM TIE ROD SLEEVES

Our exclusive design is perfect for those who are looking for a custom look and appreciate the small details. Made from 6061 T6 aluminum. Sold in sets with three different finishes available, -AR (brushed) -AB (black) -AP (polished) includes jam nuts. Add R, B or P to end of part number for desired finish.

PART #	DESCRIPTION	RETAIL	JOBBER	DEALER
ES2032SP-A	1964-70, 5/8-18, pair	\$69.00	\$61.00	\$49.00
ES2004SP-A	1971-72, 11/16-18, pair	\$69.00	\$61.00	\$49.00



TIE ROD ADJUSTING SLEEVES

Stock replacement parts that meet OE specs. New adjusting sleeves will take the hassle out of doing a front end alignment. Sold individually, two required per vehicle.

PART #	DESCRIPTION	RETAIL	JOBBER	DEALER
ES2032S	1964-70, stock, each	\$9.00	\$8.00	\$7.00
ES2004S	1971-72, stock, each	\$15.00	\$13.00	\$11.00



CONTROL ARMS BUSHINGS

Whether you're doing an original rebuild or you want to tighten up your suspension we have the bushings for you. Our rubber control arm bushings are exact reproductions of the originals perfect for the person wanting to replace his worn out bushing with original rubber bushings. Our POLYPLUS™ bushings offer better handling and are impervious to the elements. Kits come with upper and lower control arm bushings.

PART #	DESCRIPTION	RETAIL	JOBBER	DEALER
3-3117G	1964-66, POLYPLUS w/ 1.90" O.D. Rear Lower Bushing, kit	\$69.00	\$66.00	\$55.00
3-3172G	1967-72 POLYPLUS w/ Oval Rear Lower Bushing, kit	\$69.00	\$66.00	\$55.00
64CAB-RR	1964-66 rubber w/ 1.90" O.D. Rear Lower Bushing, kit	\$69.00	\$66.00	\$55.00
6672CAB-RR	1967-72 rubber w/ 1.65" O.D. Rear Round Lower Bushing, kt	\$59.00	\$52.00	\$44.00
6772CAB-RR	1967-72 rubber w/ Oval Rear Lower Bushing, kit	\$59.00	\$52.00	\$44.00

REAR TRAILING ARM BUSHING KITS

CPP offers rear trailing arm bushing kits in both rubber and also in high performance POLYPLUS™, graphite impregnated polyurethane. Kits come with both upper and lower bushings for cars and lower only for trucks. Some POLYPLUS™ bushings require the use of original shells.



PART #	DESCRIPTION	RETAIL	JOBBER	DEALER
3-3133G	1964, POLYPLUS™, kit	\$98.00	\$93.00	\$73.00
64CAB-RR	1964, rubber, kit	\$69.00	\$66.00	\$56.00
3-3132G	1965-72, POLYPLUS™, kit	\$98.00	\$93.00	\$73.00
6572CAB-RR	1965-72, rubber, kit	\$69.00	\$66.00	\$56.00



BUMP STOPS

Use our bump stops to keep your suspension from bottoming out.

PART #	DESCRIPTION	RETAIL	JOBBER	DEALER
402410	1964-72, rubber, lower, each	\$9.00	\$8.00	\$6.00
3773361	1964-72, rubber, upper, each	\$9.00	\$8.00	\$6.00
9-9154G	1964-72, POLYPLUS™, lower, pair	\$15.00	\$14.00	\$10.00
9-9151G	1964-72, POLYPLUS™, upper, pair	\$15.00	\$14.00	\$10.00



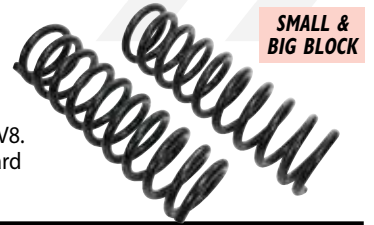
CPP NITROGEN GAS SHOCKS *Black Magic™*

Our nitrogen gas shocks are designed to enhance your car or trucks performance and provide quick response to road conditions. The 180 psi nitrogen gas cylinder was specifically built with lowered vehicles in mind to give a boost in cornering performance. The outstanding quality is backed with a lifetime warranty.

PART #	DESCRIPTION	RETAIL	JOBBER	DEALER
CPP-1000	1967-72, front, each	\$39.00	\$33.00	\$29.00
CPP-1107	1964-72, rear stock, each	\$39.00	\$33.00	\$29.00

FRONT COIL SPRINGS

Coil springs are also available in pairs of front or rear only. Our front coils are designed to work either a 6 cylinder, small block V8 or big block V8. Rear coils are also available in standard rates and heavy duty spring rates.



PART #	DESCRIPTION	RETAIL	JOBBER	DEALER
FCS6200-S	1964-66, stock height, pair	\$105.00	\$92.00	\$78.00
FCS6200-D	1964-66, 1-1/2" drop, pair	\$95.00	\$84.00	\$69.00
FCS6204-S	1964-66, stock height, big block, pair	\$105.00	\$92.00	\$78.00
FCS5272-S	1967-72, stock height, big block, pair	\$105.00	\$92.00	\$78.00
FCS6330-S	1967-72, stock height, pair	\$105.00	\$92.00	\$78.00
FCS6330-D	1967-72, 1-1/2" drop, pair	\$95.00	\$84.00	\$69.00

REAR COIL SPRINGS

High quality OE fit and finish stock height and lowered coil springs. Sold in pairs and come in black powdered coat finish. Note: Passenger car applications not recommended to use lowered coils with drop spindles.



PART #	DESCRIPTION	RETAIL	JOBBER	DEALER
RCS6197-S	1964-66, stock height, pair	\$105.00	\$92.00	\$78.00
RCS6197-D	1964-66, 1-1/2" drop, pair	\$95.00	\$84.00	\$69.00
RCS6435-S	1967-72, stock height, pair	\$105.00	\$92.00	\$78.00
RCS603-4	1967-72, 2" drop, pair	\$95.00	\$84.00	\$69.00
RCS603-5	1967-72, 3" drop, pair	\$95.00	\$84.00	\$69.00
RCR-K	1964-66, coil spring retainers, kit	\$20.00	\$18.00	\$10.00



STOCK SUSPENSION SWAY BARS

Sway bars are the key to having a great handling vehicle. They reduce body roll and help control over steer and under steer in corners. Kits come complete with sway bar, poly bushings, mounting brackets and all necessary hardware. Black powder coated finish.

PART #	DESCRIPTION	RETAIL	JOBBER	DEALER
CP883U	1964-72, 1-1/8", front, kit	\$129.00	\$119.00	\$97.00
CP883FBM	1964-72, 1-1/8", billet mount upgrade, kit	\$179.00	\$160.00	\$135.00
CP709U	1964-72, 1-1/4", front, kit	\$129.00	\$119.00	\$97.00
CP709U	1964-72, 1-1/4", billet mount upgrade, kit	\$179.00	\$160.00	\$135.00
CP939U	1964-72, 1" (CPP trailing arms), rear, kit	\$139.00	\$129.00	\$105.00
6472PTSBK	Protouring-style (standard hardware), kit	\$189.00	\$170.00	\$139.00
6472PTSBK-U	Protouring-style (billet hardware), kit	\$279.00	\$250.00	\$209.00



REAR SHOCK RELOCATION BRACKETS

These bolt-on brackets move the lower shock mount in board 3". Recommended when using big calipers or large diameter air shocks.

PART #	DESCRIPTION	RETAIL	JOBBER	DEALER
6472RSRB	1964-72, pair	\$39.00	\$34.00	\$29.00

CHEVELLE / EL CAMINO

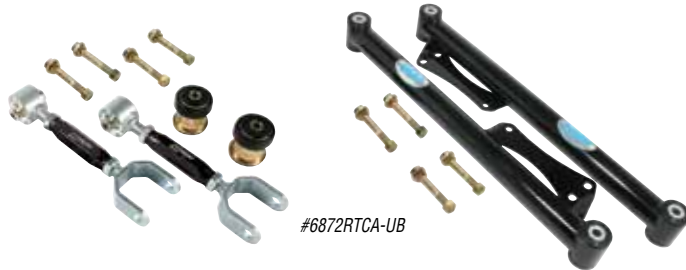


#6467RTCA-K

REAR SUSPENSION KIT

Looking for a kit that has the rear end items that you need with one part number? CPP has got you covered with these rear suspension kits. Our Totally Tubular™ trailing arms are made from heavy duty gauge tubing and utilize a patented non-squeak self lubricating bushing that will never need to be greased and will outlast any material on the market. Kits include upper and lower trailing arms and rear sway bar. Lower arms are available in black powdercoat, upper arms are black anodized aluminum.

PART #	DESCRIPTION	RETAIL	JOBBER	DEALER
6467RTCA-K	1964-67, kit	\$525.00	\$473.00	\$395.00
6872RTCA-K	1968-72, kit	\$525.00	\$473.00	\$395.00



#6872RTCA-UB

#6472RTCA-LB

REAR TRAILING ARMS

Replace those worn out trailing arms with new original replacement or CPP Totally Tubular™ arms. Original replacements come with rubber bushings and lower arms come boxed for added support and strength. Totally Tubular™ arms are a stronger alternative to the factory arms and come with our patented bushings that are self lubricating and will outlast any material on the market. #6467RTCA-U & #6872RTCA-U come with poly bushings and are double adjustable. #6467RUCA and #6872RUCA are sold each, all others are sold in pairs.

PART #	DESCRIPTION	RETAIL	JOBBER	DEALER
6467RUCA	1964-67, OE upper, each	\$79.00	\$71.00	\$62.00
6872RUCA	1968-72, OE upper, each	\$79.00	\$71.00	\$62.00
6472RLCA	1964-72, OE lower, pair	\$199.00	\$189.00	\$175.00
6467RTCA-UB	1964-67, upper tubular, black, pair	\$219.00	\$193.00	\$164.00
6872RTCA-UB	1968-72, upper tubular, black, pair	\$219.00	\$193.00	\$164.00
6472RTCA-LB	1964-72, lower tubular, black, pair	\$229.00	\$206.00	\$172.00
6472RTCA-LS	1964-72, lower tubular, silver, pair	\$229.00	\$206.00	\$172.00

ADJUSTABLE TRAILING ARM MOUNT BRACES

Brand new part! A perfect compliment for your CPP rear tubular arms. These adjustable braces are designed to mount to the rear upper arm and add strength, stability and control.



PART #	DESCRIPTION	RETAIL	JOBBER	DEALER
6467TAMB	1964-67, pair	\$89.00	\$78.00	\$63.00
6872TAMB	1968-72, pair	\$89.00	\$78.00	\$63.00



NEW!

ADJUSTABLE RIDE HEIGHT FROM 1"-7" LOWER!

REAR COIL-OVER CONVERSION KIT

These kits include specially designed USA made mounting brackets and single or double adjustable aluminum shocks specific to Chevelles, springs and all necessary hardware. With the highly popular adjustable front kits and the addition of this Rear Coil-Over Conversion Kit, you can now get a complete suspension makeover for both ends of the vehicle.

PART #	DESCRIPTION	RETAIL	JOBBER	DEALER
6472RCOK-SA	1964-72, single adjustable, kit	\$569.00	\$529.00	\$460.00
6472RCOK-DA	1964-72, double adj., kit	\$729.00	\$700.00	\$585.00

HEAVY DUTY REAR AXLE KITS

Our cold rolled spline manufacturing process produces an axle spline up to 35% stronger than cut splines. Axles also include dual bolt patterns to allow for upgrading to larger studs. Kits include: axles, studs, bearings, seals, and differential gasket.



FITS STOCK REAR ENDS

PART #	DESCRIPTION	RETAIL	JOBBER	DEALER
CP10-1	1965-67, 10 Bolt, kit	\$299.00	\$284.00	\$238.00
CP10-2	1968-72, 10 Bolt, kit	\$299.00	\$284.00	\$238.00
CP12-1	1968-72, 12 Bolt, kit	\$299.00	\$284.00	\$238.00
CP12-2	1965-67, 12 Bolt, kit	\$299.00	\$284.00	\$238.00



"SHOP TALK"

Totally Tubular™ Control Arms for 1964-72 Chevelle & El Camino

Totally
TUBULAR™



Helical stamping with coil index, just like the factory with Heli Arc welded mandrel bent D.O.M. tubing. Built with more ground clearance and designed to work with most after market products like air ride, coil overs, rack and pinion and big brakes.

Self-lubricated and able to withstand temperatures up to 400°, patented material bushing are silent and stronger than polyurethane or delron!

Interlocking design cross-shaft captures both sides of bushing and allows virtually no flex on arm when cornering!

Check out more "ShopTalk"
at www.classicperform.com



Complete Sets starting at **\$733/set**

Check out more "ShopTalk" at www.classicperform.com

CHEVELLE / EL CAMINO

GREAT ADDITION TO OUR PROTOURING PACKAGES.

See page 113



#CPP7172PSK

500 Series™

500 SERIES™ POWER STEERING CONVERSION KITS

CPP has the newest technology power steering conversion kits for your classic! We've got you covered with our 500 Series™ for your classic Chevy. All kits include power steering box ready to bolt to your frame, power steering pump, pitman arm, hose kit and rag joint.



Maximize your 500 Series™ Steering Box Performance with a heavy duty sway bar, see page 119

PART #	DESCRIPTION	RETAIL	JOBBER	DEALER
CPP6467PSK	1964-67, with 500 Series™ box, kit	\$599.00	\$527.00	\$449.00
CPP68PSK	1968, with 500 Series™ box, kit	\$599.00	\$527.00	\$449.00
CPP69PSK	1969, with 500 Series™ box, kit	\$599.00	\$527.00	\$449.00
CPP70PSK	1970, with 500 Series™ box, kit	\$599.00	\$527.00	\$449.00
CPP7172PSK	1971-72, with 500 Series™ box, kit	\$599.00	\$527.00	\$449.00



NEW!



NEW!

POWER STEERING PUMP AND BRACKET KITS

These components will allow you to add power steering just like the factory big block cars came originally. The fit and finish of all of the pieces are OE correct and mounting hardware is included. Pump brackets, adjuster bracket, power steering pump and reservoir tank are included. Pulleys and canister mounting brackets are sold separately. For pulleys, see page 167.

PART #	DESCRIPTION	RETAIL	JOBBER	DEALER
6566PSPBK-BB	1965-66, with big block, kit	\$289.00	\$260.00	\$199.00
6768PSPBK-BB	1967-68, with big block, kit	\$289.00	\$260.00	\$199.00

400 SERIES™ POWER STEERING CONVERSION KITS

This powerful little power steering box will give you a great feel and allow more clearance for engine accessories and exhaust. Our 400 Series™ box utilizes the stock inverted flare hoses, 3/4"-30 rag joint and works with MANUAL steering pitman arm. Kit includes 400 Series™ box and pitman arm. Rag joint sold separately. Note: Uses manual pitman arm.

PART #	DESCRIPTION	RETAIL	JOBBER	DEALER
6467PSC-K400	1964-67	\$339.00	\$305.00	\$229.00
6872PSC-K400	1968-72	\$339.00	\$305.00	\$229.00

500Series™



#CP50004



#CP6537C

STEERING BOXES

CPP carries a host of power steering boxes. Our 500 Series™ is late model steering technology with a 14:1 ratio and all NEW components. These boxes bolt directly to your frame without any need for additional brackets or adapters. Original replacement power steering boxes are available in standard and quick ratios. *Notes: 500 Series™ use a 3/4"-30 coupler, OE power boxes use 13/16"-36 coupler. All power boxes use inverted flare hoses.*

PART #	DESCRIPTION	RETAIL	JOBBER	DEALER
CP50004	1964-77, 500 Series™, 14:1 ratio, each	\$379.00	\$334.00	\$284.00
CP6537C	1964-76, OE reman, 16:1 ratio, each	\$299.00	\$269.00	\$225.00
CP6537Q	1964-76, OE reman, 12:1 ratio, each	\$299.00	\$269.00	\$225.00



MAX CLEARANCE POWER STEERING SHAFT

If you're trying to gain a little more header clearance or just like a smooth clean look, this is the way to go. *Note: Specify column and box spline count and diameter. Works with both standard and power steering.*

PART #	DESCRIPTION	RETAIL	JOBBER	DEALER
CPMAX-KB	1964-72, black, each	\$139.00	\$122.00	\$90.00
CPMAX-KN	1964-72, nickel, each	\$139.00	\$122.00	\$90.00



#SCG-6467A



#SCG-6872A

FIREWALL COLUMN SEALS

Made of foam material.

PART #	DESCRIPTION	RETAIL	JOBBER	DEALER
SCG-6467A	1964-67, each	\$5.00	\$4.00	\$3.00
SCG-6872A	1968-72, each	\$5.00	\$4.00	\$3.00



#6467PA-M



#6872PA-P

MANUAL AND POWER STEERING PITMAN ARMS

Our replacement pitman arms are made to factory GM specs. Replacing a worn pitman arm will help reduce play in the steering system.

PART #	DESCRIPTION	RETAIL	JOBBER	DEALER
6467PA-P	1964-67, 7/8" dia. P/S, each	\$49.00	\$43.00	\$25.00
6467PA-M	1964-67, 7/8" dia. M/S, each	\$49.00	\$43.00	\$25.00
6872PA-P	1964 & 1968-72, 13/16" dia. P/S, each	\$49.00	\$43.00	\$25.00
6872PA-M	1964 & 1968-72, 13/16" dia. M/S, each	\$49.00	\$43.00	\$25.00



OE STYLE POWER STEERING PUMP BRACKETS

These replacement brackets have the original fit and finish of the factory and will allow you to add power steering to your Chevelle. *Note: SBC designed to work with stock exhaust manifold.*

PART #	DESCRIPTION	RETAIL	JOBBER	DEALER
6572PSBK-BB	1965-68, BBC, each	\$59.00	\$53.00	\$40.00



See page 167 for Pulleys

POWER STEERING PUMP AND HOUSING KITS

These 100% brand new pumps and reservoirs have a beautiful OEM appearance and function. Reservoirs come with all o-rings and fittings, including an AN adapter, if necessary to install in your application. All pump kits include **brand new** #19-PUMP installed. When appearance is a concern, use these OE style pumps and reservoirs.

PART #	DESCRIPTION	RETAIL	JOBBER	DEALER
PUMP KITS:				
19-6468SB-P	1964-68, small block, plain, each	\$159.00	\$140.00	\$89.00
19-6468SB-PC	1964-68, small block, chrome, each	\$169.00	\$149.00	\$97.00
19-6468BB-P	1965-68, big block, each	\$179.00	\$158.00	\$105.00
6566PSP-KBB	1965-66, big block with canister, kit	\$229.00	\$202.00	\$140.00
6768PSP-KBB	1967-68, big block with canister, kit	\$229.00	\$202.00	\$140.00
19-6969BB-P	1969, big block, plain, each	\$159.00	\$140.00	\$89.00
19-6969BB-PC	1969, big block, chrome, each	\$169.00	\$149.00	\$97.00
19-6970BSB-P	1969, small block, plain, each	\$159.00	\$140.00	\$89.00
19-6970BSB-PC	1969, small block, chrome, each	\$169.00	\$149.00	\$97.00
19-6970SB-P	1970, small block, plain, each	\$159.00	\$140.00	\$89.00
19-6970SB-PC	1970, small block, chrome, each	\$169.00	\$149.00	\$97.00
19-7074BSB-P	1971-74, 8 cyl, plain, each	\$159.00	\$140.00	\$89.00
19-7074BSB-PC	1971-74, 8 cyl, chrome, each	\$169.00	\$149.00	\$97.00
RESERVOIR KITS:				
19-6468SB	1964-68, small block, plain, each	\$39.00	\$34.00	\$24.00
19-6468SB-C	1964-68, small block, chrome, each	\$49.00	\$43.00	\$30.00
19-6468BB	1965-68, big block, each	\$69.00	\$61.00	\$40.00
6566PSH-KBB	1965-66, big block with canister, kit	\$129.00	\$114.00	\$75.00
6768PSH-KBB	1967-68, big block with canister, kit	\$129.00	\$114.00	\$75.00
66PSR-H	1965-66, big block canister, each	\$59.00	\$52.00	\$35.00
68PSR-H	1967-68, big block canister, each	\$59.00	\$52.00	\$35.00
66PSR-C	1965-68, big block canister cap, each	\$15.00	\$13.00	\$9.00
19-6969BB	1969, big block, plain, each	\$39.00	\$34.00	\$24.00
19-6969BB-C	1969, big block, chrome, each	\$49.00	\$43.00	\$30.00
19-6970BSB	1969, small block, plain, each	\$39.00	\$34.00	\$24.00
19-6970BSB-C	1969, small block, chrome, each	\$49.00	\$43.00	\$30.00
19-6970SB	1970, small block, plain, each	\$39.00	\$34.00	\$24.00
19-6970SB-C	1970, small block, chrome, each	\$59.00	\$52.00	\$35.00
19-7074BSB	1971-74, 8 cyl, plain, each	\$39.00	\$34.00	\$24.00
19-7074BSB-C	1971-74, 8 cyl, chrome, each	\$49.00	\$43.00	\$30.00
PSRR-H	1965-68 big block remote reservoir hose, each	\$17.00	\$16.00	\$14.00

Low, Standard & High Volume / Pressure Pumps Available!